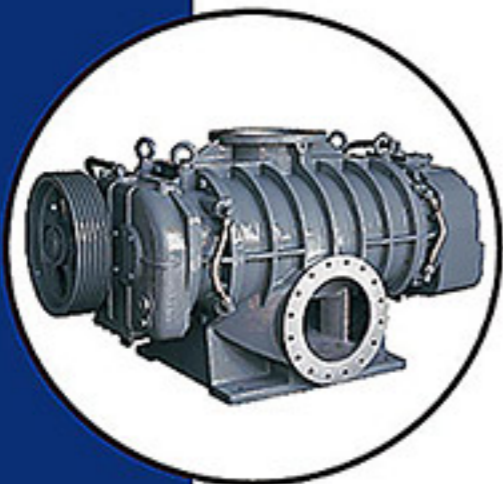


# LONGTECH BLOWER

ROOTS TYPE BLOWER & VACUUM PUMP CATALOG



Three Lobes Roots Type Blower



Longtech Soundproof Enclosure Package



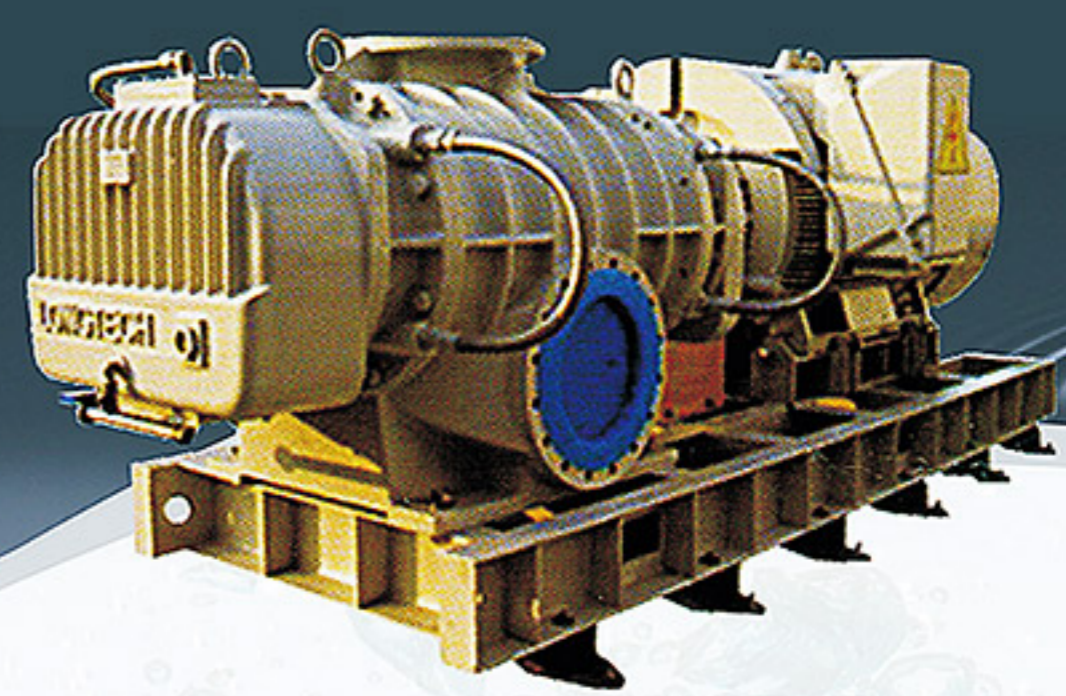
# Longtech

Longtech has been designing and manufacturing superior industrial machinery since 1982 – with 30 years of experience developing high quality three lobe roots type blowers.

In this tough market, we strongly adhere to competitive prices, efficiency, sturdiness, innovation, durability and easy maintenance. We aim to preserve product stability and production standardization making sure we remain on par with other worldwide manufacturers.

Over the past years, we have thrived in the lead of the Taiwan and Asian markets, earning a great deal of worldwide credibility. Here, we manufacture and support the equipment and systems in Taiwan. We guaranty to offer our customer the best products and services. We believe that our reputation for reliability, excellent service and product quality has helped us grow into a global leader for blowers, enabling customer success

Longtech Machinery Industry Co., Ltd.



ROOTS TYPE BLOWER  
**LONGTECH**

# CONTENTS

- Blower Design and Technical Features ..... 3 - 6
- Blower Package ..... 7
- How to Use Performance Chart..... 8
- Pressure Performance Specification..... 9 - 13
- Vacuum Performance Specification.....14 - 18
- Noise Performance Specification .....19 - 20
- Structure and Material .....21
- Dimensions and Weight ..... 22 - 24
- Accessories .....25 - 26



HIGH-PERFORMANCE QUALITY

# Longtech Three Lobes Roots Type Blower

Advanced Blower Design

Longtech Roots-type Blower is the innovative positive displacement rotary blower with three-lobe, combined with CNC and 3D machine to make precise rotors, precision and durability throughout the manufacturing of our rotors, while also 20% longer bearing life and reducing the 5dB noise, energy consumption and vibrations.

## Feature

- Stable air flow and fewer pressure variations
- Clean air; with no oil dirty particles
- Construction is simple and easy to maintain
- Bearings and gears are lubricated with oil on end side of the blower
- All of product can be used for OEM
- Proven design, backed by a 1-year warranty.

## EXCEPTIONAL ENGINEERING

# Quality Manufacture

### Seal:

Low-wear, non-contacting, labyrinth-type seals ensure performance and long life.

### Casing:

All Longtech blower units are single-piece construction and precision machined cast iron, with ribs for strength and consistent thermal behavior.

### Shafts:

Impeller shafts are alloy steel forgings that allow higher operating pressures and rotation speeds.

### Bearings:

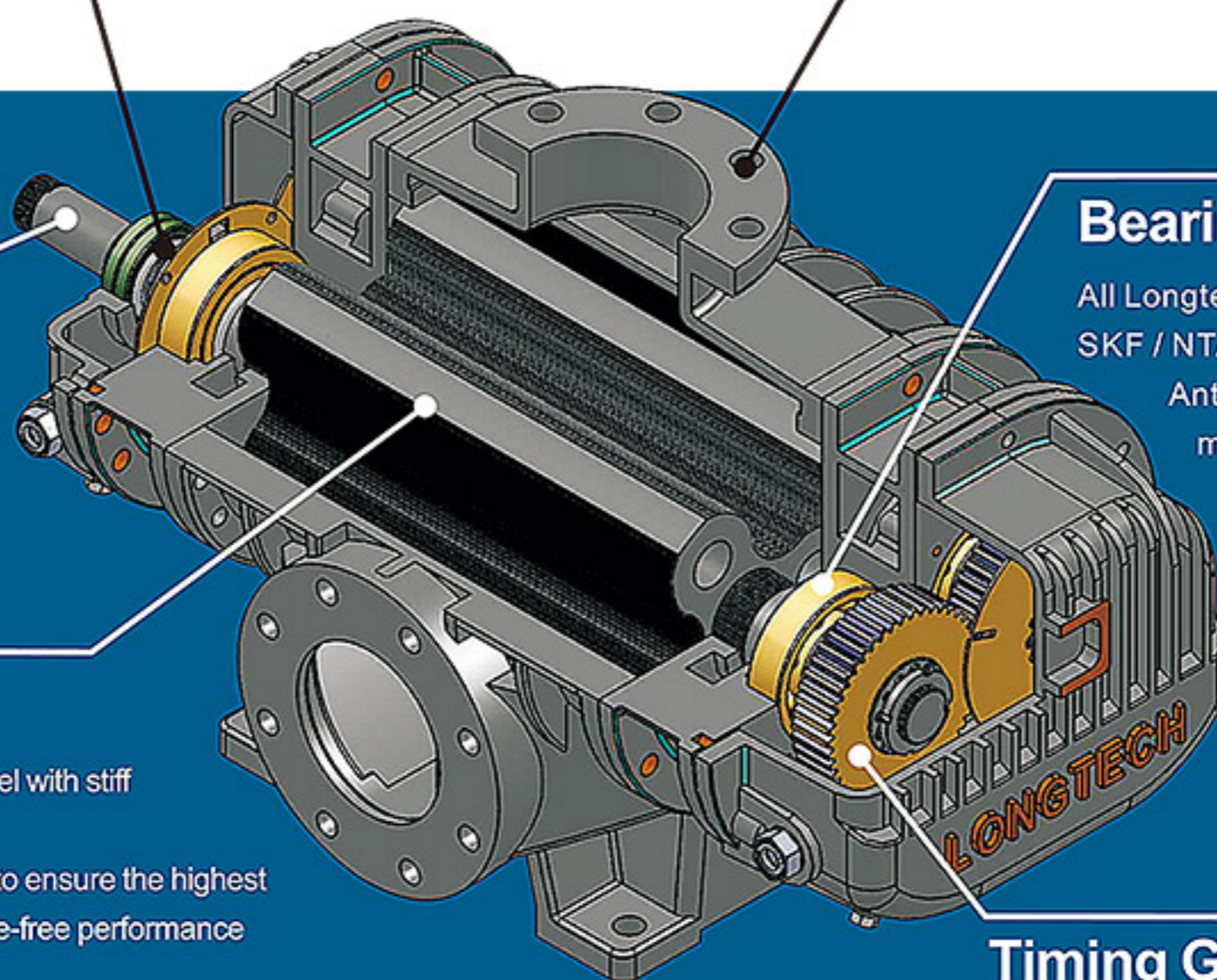
All Longtech blower units are using SKF / NTA bearings with long life, Anti-friction type vary with machine.

### Rotors:

Made from cast iron or stainless steel with stiff design for maximum life.  
By CNC and 3D machinery control to ensure the highest performances, providing with trouble-free performance and durability.

### Timing Gears:

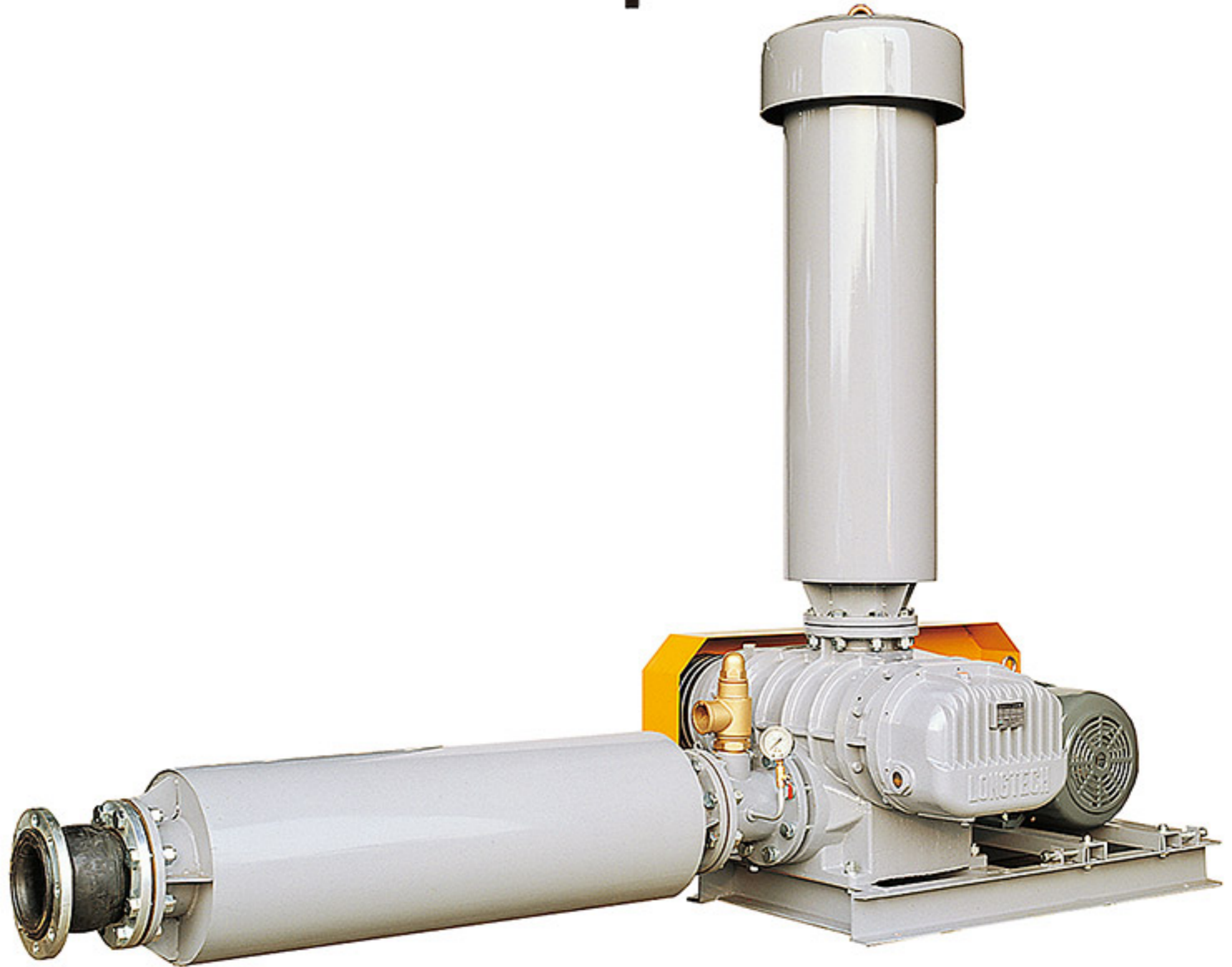
Forged steel gears with hardened and ground spur teeth to reduced vibrations and ensures accurate rotor to rotor timing fo smooth and efficient operation.



## Inquiry

- ▣ Longtech develops positive displacement rotary blower for a full range of application.
- ▣ When enquiring, please inform us of the following:
  - Applications: water aeration, pneumatic conveying etc
  - Specifications: suction capacity, pressure, temperature and humidity
  - Drive: motor type and condition
  - Installation: indoor or outdoor, ambient temperature
  - Type of gas: name and properties

# Longtech Blower Pressure Blower Complete Set



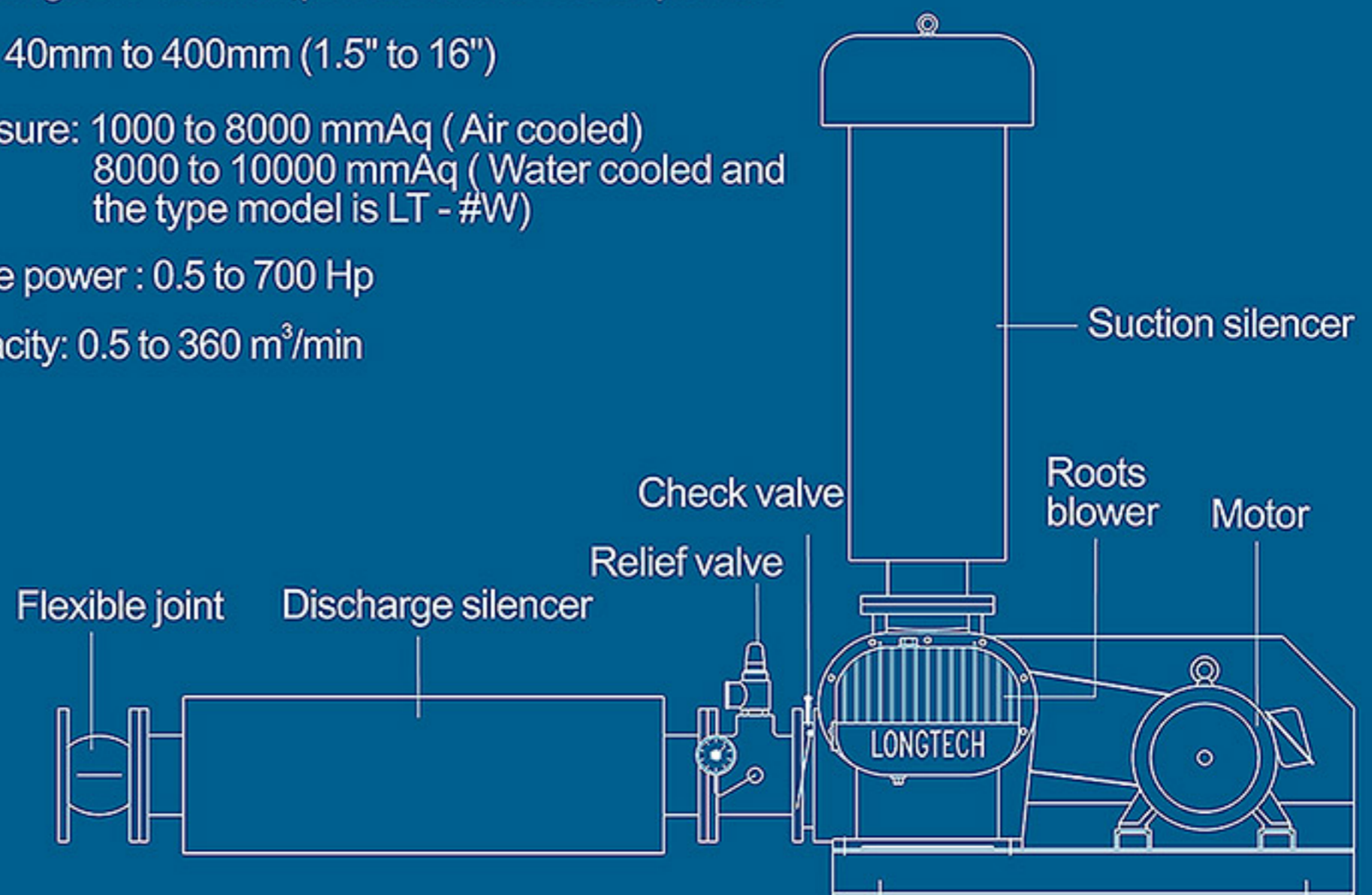
## Type Model

LT-040  
 LT-050  
 LT-065  
 LT-080  
 LT-100  
 LT-125S  
 LT-125  
 LT-150  
 LT-200  
 LT-200A  
 LT-250  
 LT-250A  
 LT-300  
 LT-300A  
 LT-350  
 LT-400

## Advantage

Wider range for volume ,pressure and Horse power.

- Bore 40mm to 400mm (1.5" to 16")
- Pressure: 1000 to 8000 mmAq ( Air cooled)  
8000 to 10000 mmAq ( Water cooled and the type model is LT - #W)
- Horse power : 0.5 to 700 Hp
- Capacity: 0.5 to 360 m<sup>3</sup>/min



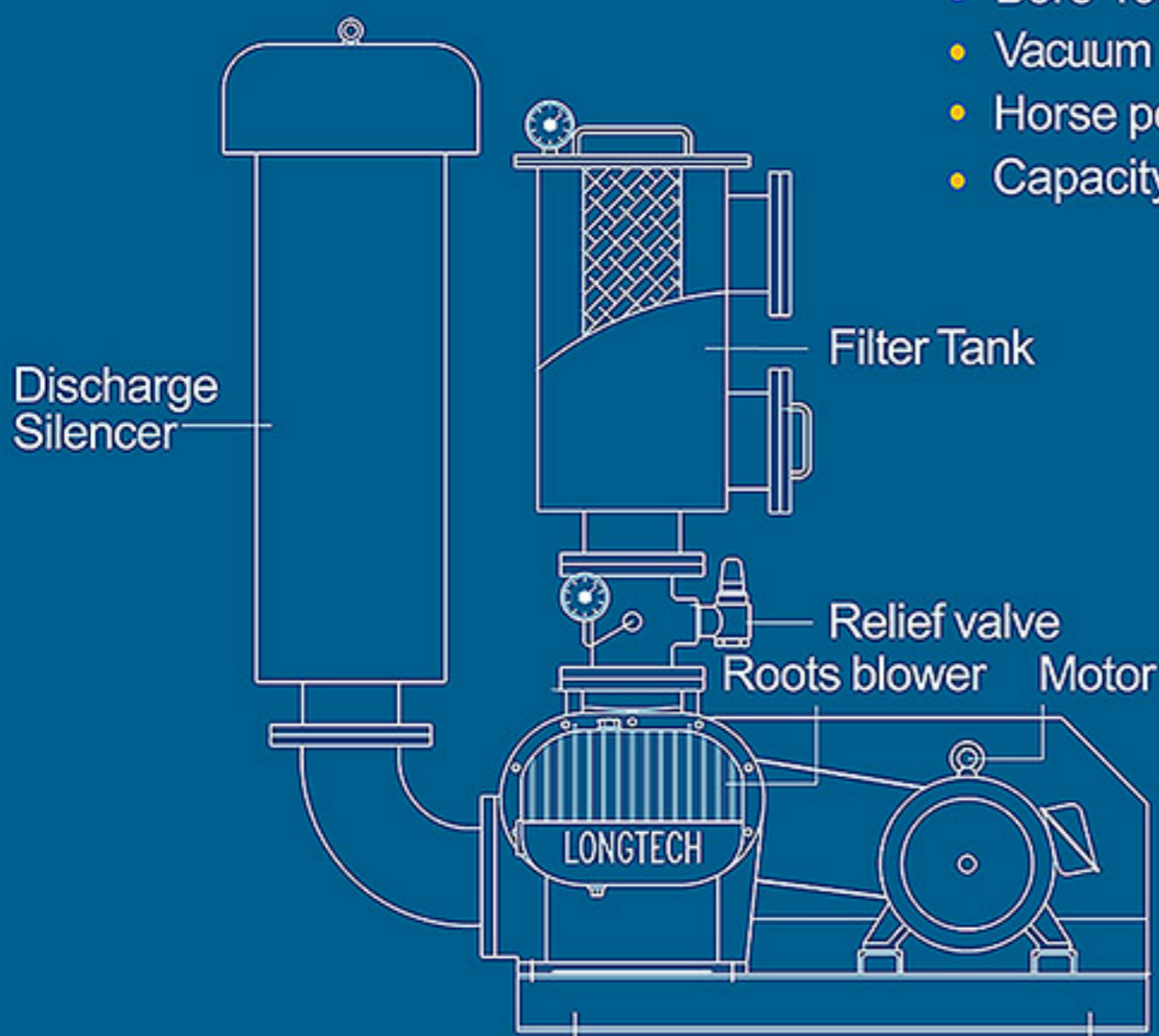


# Longtech Blower Vacuum Pump Complete Set

## Advantage

Wider range for volume ,vacuum and Horse power.

- Bore 40mm to 400mm (1.5" to 16")
- Vacuum : -1000 to - 5000 mmAq
- Horse power : 0.5 to 700 Hp
- Capacity: 0.5 to 360 m<sup>3</sup>/min



## Type Model

- LTV-040
- LTV-050
- LTV-065
- LTV-080
- LTV-100
- LTV-125S
- LTV-125
- LTV-150
- LTV-200
- LTV-200A
- LTV-250
- LTV-250A
- LTV-300
- LTV-300A
- LTV-350
- LTV-400

SIMPLE TO OPERATE AND REDUCE NOISE

# Soundproof Enclosures Package

In addition to our proven quality on roots blower manufacture, LONGTECH also designs ( ODM ) high efficiency soundproof enclosures, to solve your noise problem.

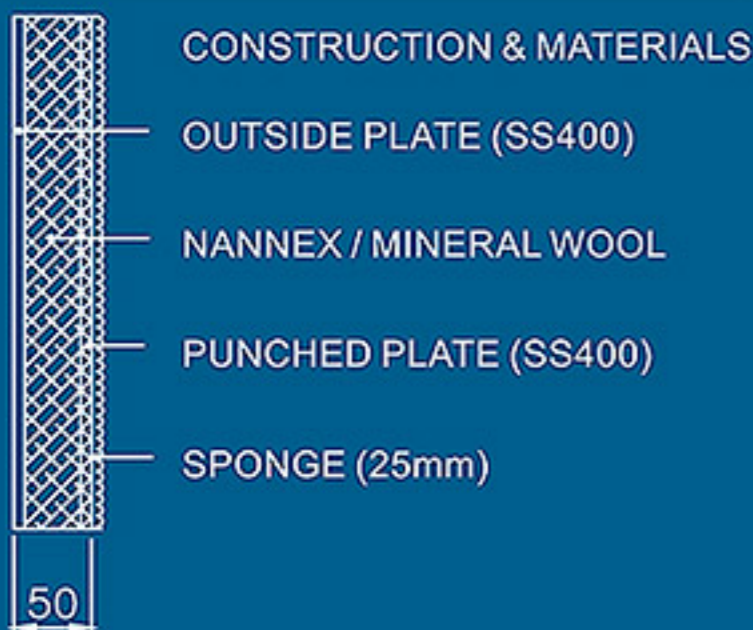
Each case is specifically manufactured according to your requirements with LT blower package.

Flange Standard: Japan Standard  
( It can be adapted to your requirements. )

## Features Include:

- Independent frame system
- Modular acoustic panels
- Reduce noise
- Designed and built for your application
- Guarantee 8 to 15 Db noise reduction (depending on the project)
- Service gate
- Temperature and pressure gauge
- Air inlet and fan covers
- Box base (optional)

## Enclosure Material





# How to Use Performance Chart



1. Air volume is general shown in term of:

- (1) Stand state (Qs):  
At 20°C, 10332 mmAq and RH. 65%
- (2) Normal state (Qn):  
At 0°C, 10332 mmAq and RH. 0%

2. Performance table shows the capacity is the standard suction state.

3. Performance table shows the pressure is the static pressure.

4. Volume conversion formula:

- Q<sub>1</sub> (m<sup>3</sup>/min) : Air volume in P<sub>1</sub> (mmAq), T<sub>1</sub> (°K).
  - Q<sub>2</sub> (m<sup>3</sup>/min) : Air volume in P<sub>2</sub> (mmAq), T<sub>2</sub> (°K).
- $$Q_2 = Q_1 \cdot \frac{P_1}{P_2} \cdot \frac{T_2}{T_1}$$

5. Pressure conversion formula

(1) For pressure:

$$Ps = \left( \frac{10332 + P_2}{10332 + P_1} - 1 \right) \cdot 10332$$

(2) For vacuum:

$$Ps = \left( \frac{10332 + P_1}{10332 + P_2} - 1 \right) \cdot 10332$$

P<sub>1</sub> : Suction static pressure

P<sub>2</sub> : Discharge static pressure

Ps: static pressure in catalog

6. Example Operating specification:

- Air volume 5.16 m<sup>3</sup>/min
- Suction static pressure -500 mmAq
- Discharge static pressure +4260 mmAq
- Suction temperature 40 °c

CHOICE :

Air volume (5.16 m<sup>3</sup>/min) converts to STP state

$$Q = 5.16 \cdot \frac{10332 - 500}{10332} \cdot \frac{273 + 20}{273 + 40} = 4.60 \text{ m}^3/\text{min}$$

Static pressure changed to:

$$PS = \left( \frac{10332 + 4260}{10332 - 500} - 1 \right) \cdot 10332 = 5000 \text{ mmAq}$$

You can find the LT-080 with 1300RPM and 10HP can fits the specification at the performance table.

7. As the selection covers two models, you can select the small models with economic or the large models with lower noise and lower RPM.

Please refer the noise performance specification.

## UNITS CONVERSION PRESSURE

|                       | mbar                   | Pa                    | atm                    | lbf/in <sup>2</sup>   | kgf/cm <sup>2</sup>   | in-Hg                  | mmAq                  |
|-----------------------|------------------------|-----------------------|------------------------|-----------------------|-----------------------|------------------------|-----------------------|
| 1 mbar                | 1                      | 10 <sup>2</sup>       | 9.869x10 <sup>-4</sup> | 1.45x10 <sup>-2</sup> | 1.02x10 <sup>-3</sup> | 2.953x10 <sup>-2</sup> | 10.197                |
| 1 Pa                  | 0.01                   | 1                     | 9.869x10 <sup>-6</sup> | 1.45x10 <sup>-4</sup> | 1.02x10 <sup>-5</sup> | 2.953x10 <sup>-4</sup> | 0.102                 |
| 1 atm                 | 1.013x10 <sup>3</sup>  | 1.013x10 <sup>5</sup> | 1                      | 14.7                  | 1.033                 | 29.92                  | 1.033x10 <sup>4</sup> |
| 1 lbf/in <sup>2</sup> | 68.95                  | 6.895x10 <sup>2</sup> | 6.805x10 <sup>-2</sup> | 1                     | 7.03x10 <sup>-2</sup> | 2.036                  | 7.03x10 <sup>2</sup>  |
| 1 kgf/cm <sup>2</sup> | 9.807x10 <sup>2</sup>  | 9.807x10 <sup>4</sup> | 0.968                  | 14.22                 | 1                     | 28.96                  | 10 <sup>4</sup>       |
| 1 in-Hg               | 33.86                  | 3.386x10 <sup>3</sup> | 3.342x10 <sup>-2</sup> | 0.491                 | 3.45x10 <sup>-2</sup> | 1                      | 3.45x10 <sup>2</sup>  |
| 1 mmAq                | 9.807x10 <sup>-2</sup> | 9.807                 | 9.677x10 <sup>-5</sup> | 1.42x10 <sup>-3</sup> | 10 <sup>-4</sup>      | 2.896x10 <sup>-3</sup> | 1                     |

## CAPACITY

|                        | m <sup>3</sup> /min | m <sup>3</sup> /hr | l/min | ft <sup>3</sup> /min |
|------------------------|---------------------|--------------------|-------|----------------------|
| 1 m <sup>3</sup> /min  | 1                   | 60                 | 1000  | 35.31                |
| 1 m <sup>3</sup> /hr   | 0.017               | 1                  | 16.67 | 0.589                |
| 1 l/min                | 0.001               | 0.06               | 1     | 0.035                |
| 1 ft <sup>3</sup> /min | 0.028               | 1.699              | 28.32 | 1                    |

## POWER

|            | kg-m/sec | kW    | HP    | PS    |
|------------|----------|-------|-------|-------|
| 1 kg-m/sec | 1        | 0.01  | 0.013 | 0.013 |
| 1 kW       | 101.97   | 1     | 1.341 | 1.360 |
| 1 HP       | 76.038   | 0.746 | 1     | 1.014 |
| 1 PS       | 75       | 0.736 | 0.986 | 1     |

# Pressure Performance Table

| TYPE   | RPM  | Qs(m <sup>3</sup> /min) |      |          |      | PRESSURE(mmAq) |      |          |       |          |       |          |       | La(Kw)   |       |          |       |
|--------|------|-------------------------|------|----------|------|----------------|------|----------|-------|----------|-------|----------|-------|----------|-------|----------|-------|
|        |      | 1000mmAq                |      | 2000mmAq |      | 3000mmAq       |      | 4000mmAq |       | 5000mmAq |       | 6000mmAq |       | 7000mmAq |       | 8000mmAq |       |
|        |      | Qs                      | La   | Qs       | La   | Qs             | La   | Qs       | La    | Qs       | La    | Qs       | La    | Qs       | La    | Qs       | La    |
| LT-040 | 1650 | 0.60                    | 0.19 | 0.57     | 0.37 | 0.54           | 0.53 | 0.51     | 0.67  | 0.49     | 0.81  | 0.48     | 0.94  |          |       |          |       |
|        | 1800 | 0.68                    | 0.21 | 0.64     | 0.40 | 0.61           | 0.57 | 0.59     | 0.74  | 0.57     | 0.88  | 0.55     | 1.02  |          |       |          |       |
|        | 1950 | 0.75                    | 0.23 | 0.71     | 0.43 | 0.69           | 0.62 | 0.66     | 0.80  | 0.64     | 0.96  | 0.62     | 1.11  |          |       |          |       |
|        | 2100 | 0.83                    | 0.24 | 0.79     | 0.47 | 0.76           | 0.67 | 0.74     | 0.86  | 0.71     | 1.03  | 0.70     | 1.19  |          |       |          |       |
|        | 2250 | 0.90                    | 0.26 | 0.86     | 0.50 | 0.84           | 0.72 | 0.81     | 0.92  | 0.79     | 1.11  | 0.77     | 1.28  |          |       |          |       |
|        | 2400 | 0.97                    | 0.28 | 0.94     | 0.53 | 0.91           | 0.77 | 0.88     | 0.98  | 0.86     | 1.18  | 0.85     | 1.36  |          |       |          |       |
|        | 2550 | 1.05                    | 0.30 | 1.01     | 0.57 | 0.98           | 0.81 | 0.96     | 1.04  | 0.94     | 1.25  | 0.92     | 1.45  |          |       |          |       |
| LT-050 | 850  | 0.99                    | 0.41 | 0.79     | 0.80 | 0.64           | 1.16 | 0.50     | 1.51  | 0.38     | 1.84  | 0.29     | 2.15  | 0.21     | 2.45  | 0.15     | 2.74  |
|        | 1000 | 1.31                    | 0.48 | 1.11     | 0.94 | 0.96           | 1.37 | 0.82     | 1.77  | 0.70     | 2.16  | 0.61     | 2.53  | 0.53     | 2.88  | 0.47     | 3.22  |
|        | 1150 | 1.63                    | 0.56 | 1.44     | 1.08 | 1.28           | 1.57 | 1.15     | 2.04  | 1.02     | 2.49  | 0.93     | 2.91  | 0.86     | 3.32  | 0.79     | 3.71  |
|        | 1300 | 1.95                    | 0.63 | 1.76     | 1.22 | 1.61           | 1.78 | 1.47     | 2.31  | 1.34     | 2.81  | 1.25     | 3.29  | 1.18     | 3.75  | 1.12     | 4.19  |
|        | 1450 | 2.27                    | 0.70 | 2.08     | 1.36 | 1.93           | 1.98 | 1.79     | 2.57  | 1.67     | 3.13  | 1.58     | 3.67  | 1.50     | 4.18  | 1.44     | 4.67  |
|        | 1600 | 2.60                    | 0.77 | 2.40     | 1.50 | 2.25           | 2.19 | 2.11     | 2.84  | 1.99     | 3.46  | 1.90     | 4.05  | 1.82     | 4.61  | 1.76     | 5.16  |
|        | 1750 | 2.92                    | 0.85 | 2.72     | 1.64 | 2.57           | 2.39 | 2.43     | 3.11  | 2.31     | 3.78  | 2.22     | 4.43  | 2.14     | 5.05  | 2.08     | 5.64  |
| LT-065 | 850  | 2.07                    | 0.62 | 1.89     | 1.21 | 1.71           | 1.76 | 1.55     | 2.29  | 1.41     | 2.78  | 1.29     | 3.26  | 1.19     | 3.71  | 1.09     | 4.15  |
|        | 1000 | 2.58                    | 0.73 | 2.41     | 1.42 | 2.22           | 2.07 | 2.07     | 2.69  | 1.93     | 3.27  | 1.81     | 3.83  | 1.71     | 4.37  | 1.60     | 4.88  |
|        | 1150 | 3.10                    | 0.84 | 2.93     | 1.64 | 2.74           | 2.38 | 2.58     | 3.09  | 2.45     | 3.77  | 2.33     | 4.41  | 2.22     | 5.03  | 2.12     | 5.62  |
|        | 1300 | 3.62                    | 0.95 | 3.45     | 1.85 | 3.26           | 2.69 | 3.10     | 3.50  | 2.96     | 4.26  | 2.84     | 4.99  | 2.74     | 5.68  | 2.64     | 6.35  |
|        | 1450 | 4.13                    | 1.06 | 3.96     | 2.06 | 3.77           | 3.01 | 3.62     | 3.90  | 3.48     | 4.75  | 3.36     | 5.56  | 3.26     | 6.34  | 3.15     | 7.08  |
|        | 1600 | 4.65                    | 1.17 | 4.48     | 2.28 | 4.29           | 3.32 | 4.13     | 4.30  | 4.00     | 5.24  | 3.88     | 6.14  | 3.77     | 6.99  | 3.67     | 7.81  |
|        | 1750 | 5.17                    | 1.28 | 5.00     | 2.49 | 4.81           | 3.63 | 4.65     | 4.71  | 4.51     | 5.73  | 4.39     | 6.71  | 4.29     | 7.65  | 4.19     | 8.55  |
| LT-080 | 850  | 3.24                    | 1.12 | 2.87     | 2.14 | 2.54           | 3.08 | 2.23     | 3.94  | 1.95     | 4.73  | 1.70     | 5.47  | 1.48     | 6.15  | 1.28     | 6.79  |
|        | 1000 | 4.14                    | 1.32 | 3.77     | 2.52 | 3.44           | 3.62 | 3.13     | 4.63  | 2.85     | 5.57  | 2.60     | 6.44  | 2.38     | 7.24  | 2.18     | 7.99  |
|        | 1150 | 5.04                    | 1.51 | 4.67     | 2.90 | 4.34           | 4.16 | 4.03     | 5.33  | 3.75     | 6.40  | 3.50     | 7.40  | 3.28     | 8.33  | 3.08     | 9.19  |
|        | 1300 | 5.94                    | 1.71 | 5.57     | 3.27 | 5.24           | 4.71 | 4.93     | 6.02  | 4.65     | 7.24  | 4.40     | 8.37  | 4.18     | 9.41  | 3.98     | 10.39 |
|        | 1450 | 6.84                    | 1.91 | 6.47     | 3.65 | 6.14           | 5.25 | 5.83     | 6.72  | 5.55     | 8.07  | 5.30     | 9.33  | 5.08     | 10.50 | 4.88     | 11.58 |
|        | 1600 | 7.74                    | 2.11 | 7.37     | 4.03 | 7.04           | 5.79 | 6.73     | 7.41  | 6.45     | 8.91  | 6.20     | 10.30 | 5.98     | 11.58 | 5.78     | 12.78 |
|        | 1750 | 8.64                    | 2.30 | 8.27     | 4.41 | 7.94           | 6.33 | 7.63     | 8.11  | 7.35     | 9.75  | 7.10     | 11.26 | 6.88     | 12.67 | 6.68     | 13.98 |
| LT-100 | 850  | 5.80                    | 1.57 | 5.19     | 3.00 | 4.65           | 4.31 | 4.16     | 5.51  | 3.74     | 6.63  | 3.36     | 7.66  | 3.03     | 8.62  | 2.74     | 9.51  |
|        | 1000 | 7.06                    | 1.84 | 6.45     | 3.53 | 5.91           | 5.07 | 5.42     | 6.49  | 5.00     | 7.80  | 4.62     | 9.01  | 4.29     | 10.14 | 4.00     | 11.19 |
|        | 1150 | 8.32                    | 2.12 | 7.71     | 4.05 | 7.17           | 5.83 | 6.68     | 7.46  | 6.26     | 8.97  | 5.88     | 10.36 | 5.55     | 11.66 | 5.26     | 12.86 |
|        | 1300 | 9.58                    | 2.40 | 8.97     | 4.58 | 8.43           | 6.59 | 7.94     | 8.43  | 7.52     | 10.14 | 7.14     | 11.71 | 6.81     | 13.18 | 6.52     | 14.54 |
|        | 1450 | 10.84                   | 2.67 | 10.23    | 5.11 | 9.69           | 7.35 | 9.20     | 9.41  | 8.78     | 11.31 | 8.40     | 13.06 | 8.07     | 14.70 | 7.78     | 16.22 |
|        | 1600 | 12.10                   | 2.95 | 11.49    | 5.64 | 10.95          | 8.11 | 10.46    | 10.38 | 10.04    | 12.47 | 9.66     | 14.42 | 9.33     | 16.22 | 9.04     | 17.90 |
|        | 1750 | 13.36                   | 3.23 | 12.75    | 6.17 | 12.21          | 8.87 | 11.72    | 11.35 | 11.30    | 13.64 | 10.92    | 15.77 | 10.59    | 17.74 | 10.30    | 19.57 |

# Pressure Performance Table

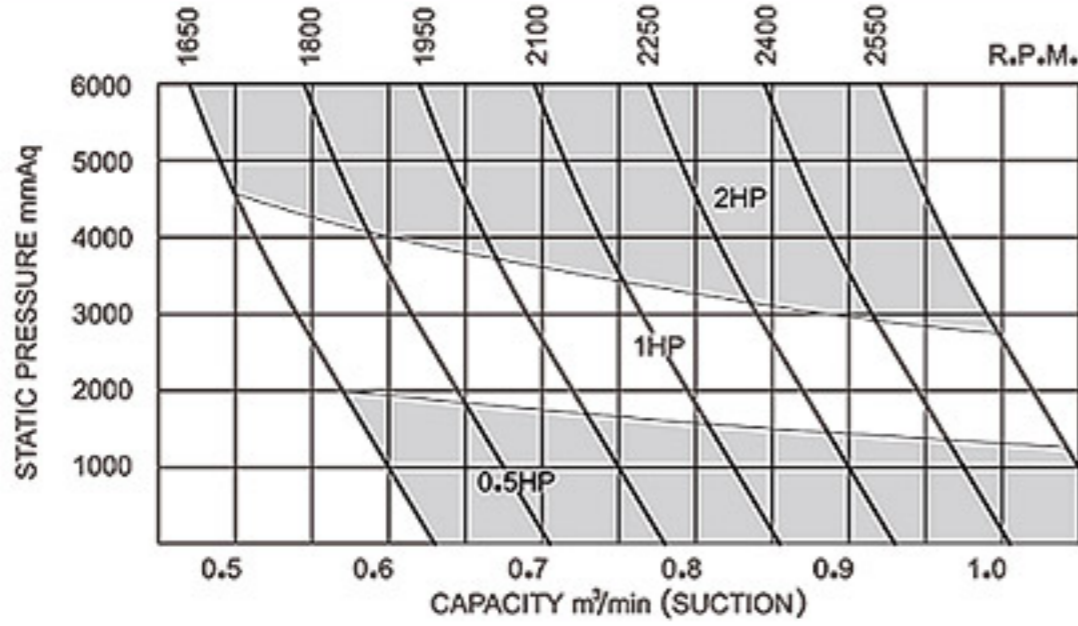
| TYPE    | RPM  | Qs(m <sup>3</sup> /min) |       |          |       | PRESSURE(mmAq) |       |          |       |          |       |          |       | La(Kw)   |       |          |       |
|---------|------|-------------------------|-------|----------|-------|----------------|-------|----------|-------|----------|-------|----------|-------|----------|-------|----------|-------|
|         |      | 1000mmAq                |       | 2000mmAq |       | 3000mmAq       |       | 4000mmAq |       | 5000mmAq |       | 6000mmAq |       | 7000mmAq |       | 8000mmAq |       |
|         |      | Qs                      | La    | Qs       | La    | Qs             | La    | Qs       | La    | Qs       | La    | Qs       | La    | Qs       | La    | Qs       | La    |
| LT-125S | 750  | 8.13                    | 2.05  | 7.43     | 3.91  | 6.80           | 5.62  | 6.22     | 7.20  | 5.72     | 8.66  | 5.25     | 10.01 | 4.83     | 11.26 | 4.46     | 12.42 |
|         | 900  | 10.02                   | 2.46  | 9.32     | 4.70  | 8.69           | 6.75  | 8.11     | 8.64  | 7.61     | 10.39 | 7.14     | 12.01 | 6.72     | 13.51 | 6.35     | 14.91 |
|         | 1050 | 11.91                   | 2.86  | 11.21    | 5.48  | 10.58          | 7.87  | 10.00    | 10.08 | 9.50     | 12.12 | 9.03     | 14.01 | 8.61     | 15.76 | 8.24     | 17.39 |
|         | 1200 | 13.80                   | 3.27  | 13.10    | 6.26  | 12.47          | 9.00  | 11.89    | 11.52 | 11.39    | 13.85 | 10.92    | 16.01 | 10.50    | 18.01 | 10.13    | 19.88 |
|         | 1350 | 15.69                   | 3.68  | 14.99    | 7.04  | 14.36          | 10.12 | 13.78    | 12.96 | 13.28    | 15.58 | 12.81    | 18.01 | 12.39    | 20.27 | 12.02    | 22.36 |
|         | 1500 | 17.58                   | 4.09  | 16.88    | 7.83  | 16.25          | 11.25 | 15.67    | 14.40 | 15.17    | 17.31 | 14.70    | 20.01 | 14.28    | 22.52 | 13.91    | 24.85 |
|         | 1650 | 19.47                   | 4.50  | 18.77    | 8.61  | 18.14          | 12.37 | 17.56    | 15.84 | 17.06    | 19.04 | 16.59    | 22.01 | 16.17    | 24.77 | 15.80    | 27.33 |
| LT-125  | 750  | 10.29                   | 2.59  | 9.42     | 4.96  | 8.62           | 7.13  | 7.88     | 9.12  | 7.25     | 10.97 | 6.66     | 12.67 | 6.11     | 14.26 | 5.65     | 15.74 |
|         | 900  | 12.69                   | 3.11  | 11.81    | 5.95  | 11.01          | 8.55  | 10.28    | 10.95 | 9.64     | 13.16 | 9.05     | 15.21 | 8.51     | 17.11 | 8.04     | 18.89 |
|         | 1050 | 15.08                   | 3.63  | 14.20    | 6.94  | 13.41          | 9.98  | 12.67    | 12.77 | 12.03    | 15.35 | 11.44    | 17.74 | 10.90    | 19.97 | 10.44    | 22.04 |
|         | 1200 | 17.48                   | 4.15  | 16.60    | 7.93  | 15.80          | 11.40 | 15.07    | 14.59 | 14.43    | 17.55 | 13.84    | 20.28 | 13.29    | 22.82 | 12.83    | 25.18 |
|         | 1350 | 19.87                   | 4.66  | 18.99    | 8.92  | 18.19          | 12.83 | 17.46    | 16.42 | 16.82    | 19.74 | 16.23    | 22.81 | 15.69    | 25.67 | 15.23    | 28.33 |
|         | 1500 | 22.26                   | 5.18  | 21.39    | 9.91  | 20.59          | 14.25 | 19.85    | 18.24 | 19.22    | 21.93 | 18.63    | 25.35 | 18.08    | 28.52 | 17.62    | 31.48 |
|         | 1650 | 24.66                   | 5.70  | 23.78    | 10.90 | 22.98          | 15.68 | 22.25    | 20.07 | 21.61    | 24.13 | 21.02    | 27.88 | 20.48    | 31.38 | 20.01    | 34.63 |
| LT-150  | 750  | 13.32                   | 3.34  | 12.62    | 6.39  | 11.98          | 9.19  | 11.40    | 11.76 | 10.87    | 14.14 | 10.39    | 16.34 | 10.00    | 18.39 | 9.61     | 20.30 |
|         | 900  | 16.40                   | 4.01  | 15.70    | 7.67  | 15.06          | 11.03 | 14.49    | 14.11 | 13.95    | 16.97 | 13.48    | 19.61 | 13.09    | 22.07 | 12.70    | 24.36 |
|         | 1050 | 19.49                   | 4.68  | 18.79    | 8.95  | 18.15          | 12.86 | 17.58    | 16.47 | 17.04    | 19.80 | 16.57    | 22.88 | 16.18    | 25.75 | 15.78    | 28.41 |
|         | 1200 | 22.58                   | 5.35  | 21.88    | 10.23 | 21.24          | 14.70 | 20.66    | 18.82 | 20.13    | 22.62 | 19.65    | 26.15 | 19.26    | 29.42 | 18.87    | 32.47 |
|         | 1350 | 25.66                   | 6.02  | 24.96    | 11.50 | 24.33          | 16.54 | 23.75    | 21.17 | 23.21    | 25.45 | 22.74    | 29.42 | 22.35    | 33.10 | 21.96    | 36.53 |
|         | 1500 | 28.75                   | 6.68  | 28.05    | 12.78 | 27.41          | 18.38 | 26.84    | 23.52 | 26.30    | 28.28 | 25.83    | 32.69 | 25.44    | 36.78 | 25.05    | 40.59 |
|         | 1650 | 31.84                   | 7.35  | 31.14    | 14.06 | 30.50          | 20.21 | 29.92    | 25.88 | 29.39    | 31.11 | 28.91    | 35.96 | 28.52    | 40.46 | 28.13    | 44.65 |
| LT-200  | 600  | 17.01                   | 4.84  | 15.95    | 9.27  | 15.04          | 13.32 | 14.21    | 17.06 | 13.53    | 20.51 | 12.93    | 23.71 | 12.40    | 26.68 | 11.98    | 29.45 |
|         | 750  | 22.68                   | 6.05  | 21.62    | 11.58 | 20.71          | 16.65 | 19.88    | 21.32 | 19.20    | 25.64 | 18.60    | 29.64 | 18.07    | 33.36 | 17.65    | 36.82 |
|         | 900  | 28.35                   | 7.27  | 27.29    | 13.90 | 26.38          | 19.98 | 25.55    | 25.59 | 24.87    | 30.77 | 24.27    | 35.57 | 23.74    | 40.03 | 23.32    | 44.18 |
|         | 1050 | 34.02                   | 8.48  | 32.96    | 16.22 | 32.05          | 23.32 | 31.22    | 29.85 | 30.54    | 35.89 | 29.94    | 41.49 | 29.41    | 46.70 | 28.99    | 51.55 |
|         | 1200 | 39.69                   | 9.69  | 38.63    | 18.53 | 37.72          | 26.65 | 36.89    | 34.12 | 36.21    | 41.02 | 35.61    | 47.42 | 35.08    | 53.37 | 34.66    | 58.91 |
|         | 1350 | 45.36                   | 10.90 | 44.30    | 20.85 | 43.39          | 29.98 | 42.56    | 38.38 | 41.88    | 46.15 | 41.28    | 53.35 | 40.75    | 60.04 | 40.33    | 66.27 |
|         | 1500 | 51.03                   | 12.11 | 49.97    | 23.17 | 49.06          | 33.31 | 48.23    | 42.65 | 47.55    | 51.28 | 46.95    | 59.28 | 46.42    | 66.71 | 46.00    | 73.64 |
| LT-200A | 600  | 27.72                   | 7.40  | 26.22    | 14.16 | 24.89          | 20.35 | 23.68    | 26.06 | 22.58    | 31.34 | 21.60    | 36.23 | 20.73    | 40.77 | 19.98    | 45.00 |
|         | 750  | 36.38                   | 9.25  | 34.88    | 17.70 | 33.55          | 25.44 | 32.34    | 32.58 | 31.24    | 39.17 | 30.26    | 45.28 | 29.39    | 50.96 | 28.64    | 56.25 |
|         | 900  | 45.05                   | 11.10 | 43.54    | 21.24 | 42.22          | 30.53 | 41.00    | 39.09 | 39.91    | 47.01 | 38.92    | 54.34 | 38.06    | 61.15 | 37.31    | 67.50 |
|         | 1050 | 53.71                   | 12.95 | 52.21    | 24.77 | 50.88          | 35.62 | 49.67    | 45.61 | 48.57    | 54.84 | 47.59    | 63.39 | 46.72    | 71.34 | 45.97    | 78.75 |
|         | 1200 | 62.37                   | 14.80 | 60.87    | 28.31 | 59.54          | 40.71 | 58.33    | 52.12 | 57.23    | 62.67 | 56.25    | 72.45 | 55.38    | 81.54 | 54.63    | 90.00 |
|         | 1350 | 71.03                   | 16.65 | 69.53    | 31.85 | 68.20          | 45.80 | 66.99    | 58.64 | 65.89    | 70.51 | 64.91    | 81.51 | 64.04    | 91.73 | 63.29    | 101.2 |
|         | 1500 | 79.70                   | 18.50 | 78.19    | 35.39 | 76.87          | 50.89 | 75.65    | 65.16 | 74.56    | 78.34 | 73.57    | 90.56 | 72.71    | 101.9 | 71.96    | 112.5 |

# Pressure Performance Table

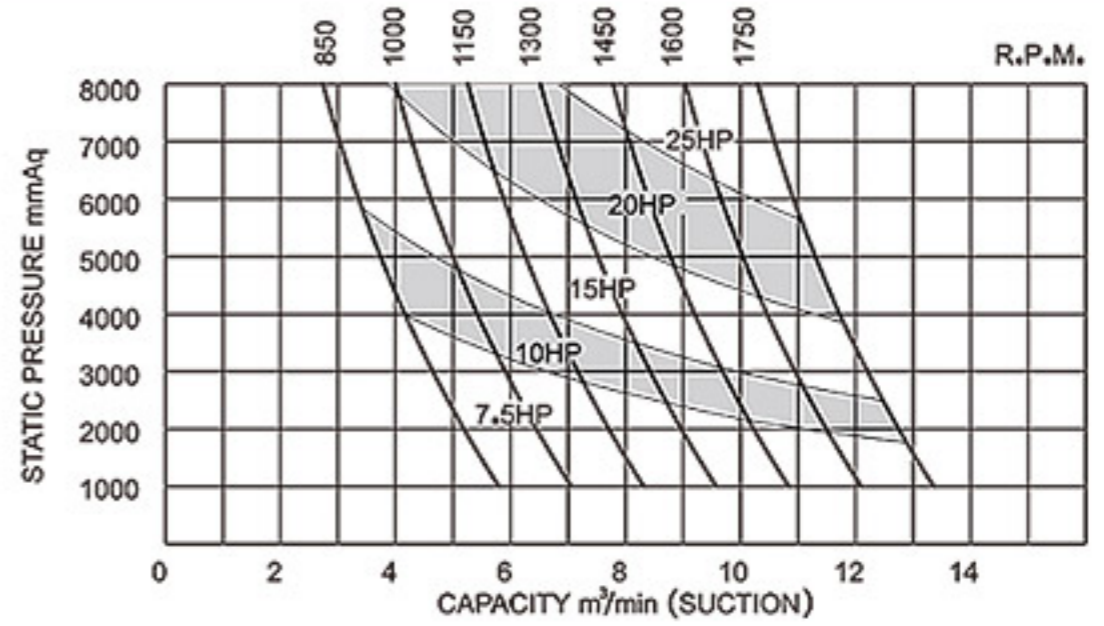
| TYPE    | RPM  | Qs(m <sup>3</sup> /min) |       |          |       | PRESSURE(mmAq) |       |          |       |          |       |          |       | La(Kw)   |       |          |       |
|---------|------|-------------------------|-------|----------|-------|----------------|-------|----------|-------|----------|-------|----------|-------|----------|-------|----------|-------|
|         |      | 1000mmAq                |       | 2000mmAq |       | 3000mmAq       |       | 4000mmAq |       | 5000mmAq |       | 6000mmAq |       | 7000mmAq |       | 8000mmAq |       |
|         |      | Qs                      | La    | Qs       | La    | Qs             | La    | Qs       | La    | Qs       | La    | Qs       | La    | Qs       | La    | Qs       | La    |
| LT-250  | 600  | 27.72                   | 7.40  | 26.22    | 14.16 | 24.89          | 20.35 | 23.68    | 26.06 | 22.58    | 31.34 | 21.60    | 36.23 | 20.73    | 40.77 | 19.98    | 45.00 |
|         | 750  | 36.38                   | 9.25  | 34.88    | 17.70 | 33.55          | 25.44 | 32.34    | 32.58 | 31.24    | 39.17 | 30.26    | 45.28 | 29.39    | 50.96 | 28.64    | 56.25 |
|         | 900  | 45.05                   | 11.10 | 43.54    | 21.24 | 42.22          | 30.53 | 41.00    | 39.09 | 39.91    | 47.01 | 38.92    | 54.34 | 38.06    | 61.15 | 37.31    | 67.50 |
|         | 1050 | 53.71                   | 12.95 | 52.21    | 24.77 | 50.88          | 35.62 | 49.67    | 45.61 | 48.57    | 54.84 | 47.59    | 63.39 | 46.72    | 71.34 | 45.97    | 78.75 |
|         | 1200 | 62.37                   | 14.80 | 60.87    | 28.31 | 59.54          | 40.71 | 58.33    | 52.12 | 57.23    | 62.67 | 56.25    | 72.45 | 55.38    | 81.54 | 54.63    | 90.00 |
|         | 1350 | 71.03                   | 16.65 | 69.53    | 31.85 | 68.20          | 45.80 | 66.99    | 58.64 | 65.89    | 70.51 | 64.91    | 81.51 | 64.04    | 91.73 | 63.29    | 101.2 |
|         | 1500 | 79.70                   | 18.50 | 78.19    | 35.39 | 76.87          | 50.89 | 75.65    | 65.16 | 74.56    | 78.34 | 73.57    | 90.56 | 72.71    | 101.9 | 71.96    | 112.5 |
| LT-250A | 600  | 39.45                   | 10.36 | 37.54    | 18.02 | 35.93          | 25.92 | 34.56    | 33.71 | 33.33    | 41.48 | 32.19    | 49.20 | 31.19    | 56.8  | 30.35    | 64.3  |
|         | 750  | 50.92                   | 12.95 | 49.00    | 22.52 | 47.40          | 32.40 | 46.02    | 42.14 | 44.80    | 51.85 | 43.65    | 61.50 | 42.66    | 71.0  | 41.82    | 80.4  |
|         | 900  | 62.38                   | 15.53 | 60.47    | 27.03 | 58.87          | 38.88 | 57.49    | 50.57 | 56.27    | 62.22 | 55.12    | 73.80 | 54.13    | 85.2  | 53.29    | 96.5  |
|         | 1050 | 73.85                   | 18.12 | 71.94    | 31.53 | 70.33          | 45.36 | 68.96    | 58.99 | 67.73    | 72.59 | 66.59    | 86.10 | 65.59    | 99.4  | 64.75    | 112.6 |
|         | 1200 | 85.32                   | 20.71 | 83.41    | 36.04 | 81.80          | 51.84 | 80.43    | 67.42 | 79.20    | 82.96 | 78.06    | 98.39 | 77.06    | 113.6 | 76.22    | 128.7 |
|         | 1350 | 96.79                   | 23.30 | 94.87    | 40.54 | 93.27          | 58.32 | 91.89    | 75.85 | 90.67    | 93.33 | 89.52    | 110.7 | 88.53    | 127.8 | 87.69    | 144.7 |
|         | 1500 | 108.3                   | 25.89 | 106.3    | 45.05 | 104.7          | 64.80 | 103.4    | 84.28 | 102.1    | 103.7 | 101.0    | 123.0 | 100.0    | 142.0 | 99.16    | 160.8 |
| LT-300  | 600  | 58.94                   | 14.44 | 55.49    | 25.88 | 53.71          | 37.23 | 52.04    | 47.70 | 50.48    | 58.83 | 49.26    | 68.88 | 47.59    | 79.49 | 46.70    | 88.83 |
|         | 750  | 75.62                   | 18.06 | 72.17    | 32.35 | 70.39          | 46.54 | 68.72    | 59.63 | 67.16    | 73.53 | 65.94    | 86.10 | 64.27    | 99.36 | 63.38    | 111.0 |
|         | 900  | 92.30                   | 21.67 | 88.85    | 38.82 | 87.07          | 55.85 | 85.40    | 71.55 | 83.84    | 88.24 | 82.62    | 103.3 | 80.95    | 119.2 | 80.06    | 133.3 |
|         | 1050 | 109.0                   | 25.28 | 105.5    | 45.29 | 103.7          | 65.16 | 102.1    | 83.48 | 100.5    | 102.9 | 99.30    | 120.5 | 97.63    | 139.1 | 96.74    | 155.5 |
|         | 1200 | 125.7                   | 28.89 | 122.2    | 51.76 | 120.4          | 74.46 | 118.8    | 95.41 | 117.2    | 117.7 | 116.0    | 137.8 | 114.3    | 159.0 | 113.4    | 177.7 |
|         | 1350 | 142.3                   | 32.50 | 138.9    | 58.23 | 137.1          | 83.77 | 135.4    | 107.3 | 133.9    | 132.4 | 132.7    | 155.0 | 131.0    | 178.8 | 130.1    | 199.9 |
|         | 1500 | 159.0                   | 36.11 | 155.6    | 64.70 | 153.8          | 93.08 | 152.1    | 119.3 | 150.6    | 147.1 | 149.3    | 172.2 | 147.7    | 198.7 | 146.8    | 222.1 |
| LT-300A | 600  | 88.3                    | 21.07 | 85.0     | 37.30 | 82.3           | 53.64 | 80.0     | 71.4  | 78.1     | 87.0  | 76.1     | 103.1 | 74.5     | 119.0 | 72.5     | 136.5 |
|         | 700  | 104.7                   | 24.58 | 101.4    | 43.52 | 98.7           | 62.58 | 96.4     | 83.3  | 94.5     | 101.5 | 92.5     | 120.3 | 90.9     | 138.9 | 88.9     | 159.3 |
|         | 800  | 121.1                   | 28.10 | 117.8    | 49.74 | 115.1          | 71.52 | 112.8    | 95.2  | 110.9    | 116.0 | 108.9    | 137.5 | 107.3    | 158.7 | 105.3    | 182.1 |
|         | 900  | 137.5                   | 31.61 | 134.2    | 55.95 | 131.5          | 80.46 | 129.2    | 107.1 | 127.3    | 130.5 | 125.3    | 154.7 | 123.7    | 178.6 | 121.7    | 204.8 |
|         | 1000 | 153.9                   | 35.12 | 150.6    | 62.17 | 147.9          | 89.39 | 145.6    | 119.0 | 143.7    | 145.0 | 141.7    | 171.9 | 140.1    | 198.4 | 138.1    | 227.6 |
|         | 1100 | 170.3                   | 38.63 | 167.0    | 68.39 | 164.3          | 98.33 | 162.0    | 130.9 | 160.1    | 159.5 | 158.1    | 189.1 | 156.5    | 218.2 | 154.5    | 250.3 |
|         | 1200 | 186.7                   | 42.15 | 183.4    | 74.60 | 180.7          | 107.3 | 178.4    | 142.8 | 176.5    | 174.0 | 174.5    | 206.3 | 172.9    | 238.1 | 170.9    | 273.1 |
| LT-350  | 600  | 138.3                   | 32.31 | 133.1    | 58.00 | 129.0          | 83.48 | 125.2    | 109.6 | 121.9    | 134.1 | 119.1    | 160.3 | 116.3    | 182.7 | 113.5    | 212.3 |
|         | 700  | 163.8                   | 37.70 | 158.6    | 67.67 | 154.5          | 97.39 | 150.7    | 127.9 | 147.4    | 156.4 | 144.6    | 187.1 | 141.8    | 213.2 | 139.0    | 247.7 |
|         | 800  | 189.3                   | 43.08 | 184.1    | 77.33 | 180.0          | 111.3 | 176.2    | 146.2 | 172.9    | 178.8 | 170.1    | 213.8 | 167.3    | 243.7 | 164.5    | 283.1 |
|         | 900  | 214.8                   | 48.47 | 209.6    | 87.00 | 205.5          | 125.2 | 201.7    | 164.5 | 198.4    | 201.1 | 195.6    | 240.5 | 192.8    | 274.1 | 190.0    | 318.5 |
|         | 1000 | 240.3                   | 53.85 | 235.1    | 96.67 | 231.0          | 139.1 | 227.2    | 182.7 | 223.9    | 223.4 | 221.1    | 267.2 | 218.3    | 304.6 | 215.5    | 353.9 |
|         | 1100 | 265.8                   | 59.24 | 260.6    | 106.3 | 256.5          | 153.0 | 252.7    | 201.0 | 249.4    | 245.8 | 246.6    | 294.0 | 243.8    | 335.0 | 241.0    | 389.2 |
|         | 1200 | 291.3                   | 64.62 | 286.1    | 116.0 | 282.0          | 167.0 | 278.2    | 219.3 | 274.9    | 268.1 | 272.1    | 320.7 | 269.3    | 365.5 | 266.5    | 424.6 |
| LT-400  | 600  | 236.3                   | 53.28 | 230.3    | 95.65 | 225.5          | 137.7 | 221.3    | 180.8 | 217.6    | 221.1 | 214.1    | 264.4 | 211.3    | 301.4 | 208.8    | 350.1 |
|         | 650  | 257.4                   | 57.73 | 251.4    | 103.6 | 246.5          | 149.1 | 242.3    | 195.9 | 238.6    | 239.5 | 235.2    | 286.5 | 232.3    | 326.5 | 229.8    | 379.3 |
|         | 700  | 278.4                   | 62.17 | 272.4    | 111.6 | 267.5          | 160.6 | 263.3    | 210.9 | 259.6    | 257.9 | 256.2    | 308.5 | 253.4    | 351.6 | 250.8    | 408.5 |
|         | 750  | 299.4                   | 66.61 | 293.4    | 119.6 | 288.6          | 172.1 | 284.4    | 226.0 | 280.7    | 276.4 | 277.2    | 330.5 | 274.4    | 376.7 | 271.9    | 437.7 |
|         | 800  | 320.4                   | 71.05 | 314.4    | 127.5 | 309.6          | 183.6 | 305.4    | 241.1 | 301.7    | 294.8 | 298.2    | 352.6 | 295.4    | 401.8 | 292.9    | 466.8 |
|         | 850  | 341.5                   | 75.49 | 335.5    | 135.5 | 330.6          | 195.0 | 326.4    | 256.1 | 322.7    | 313.2 | 319.3    | 374.6 | 316.4    | 426.9 | 313.9    | 496.0 |
|         | 900  | 362.5                   | 79.93 | 356.5    | 143.5 | 351.6          | 206.5 | 347.4    | 271.2 | 343.7    | 331.6 | 340.3    | 396.7 | 337.5    | 452.0 | 335.0    | 525.2 |

# Pressure Performance Curve

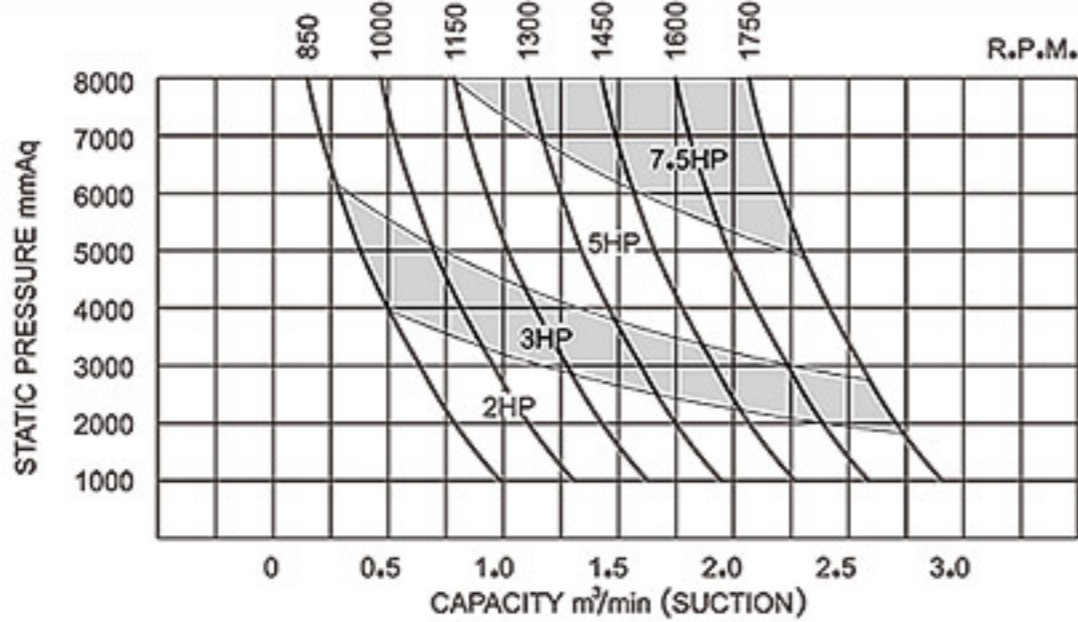
### LT-040



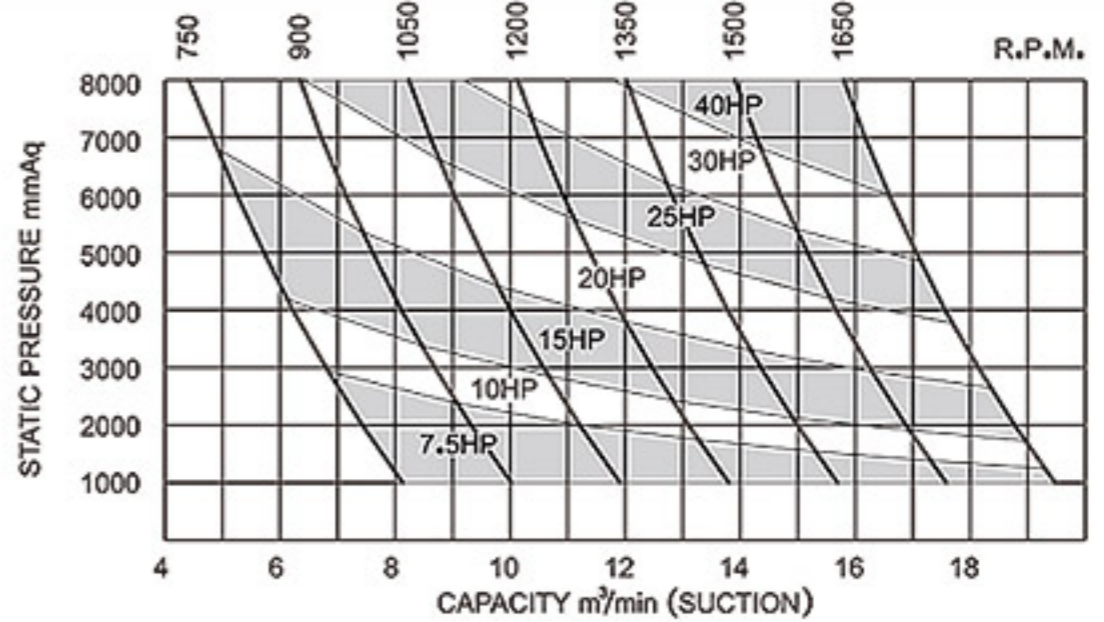
### LT-100



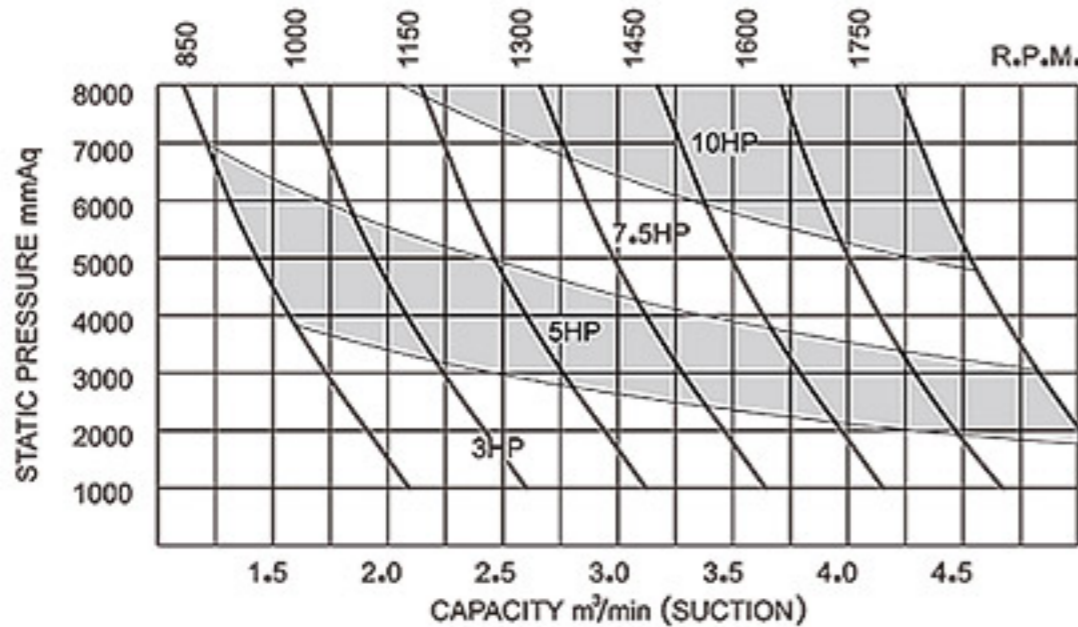
### LT-050



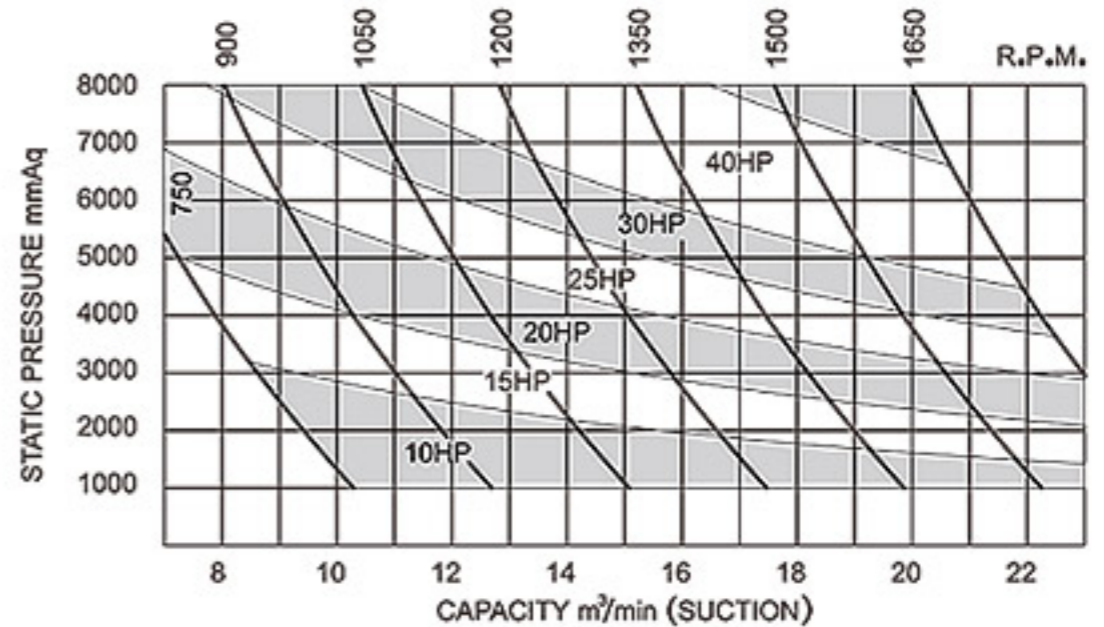
### LT-125S



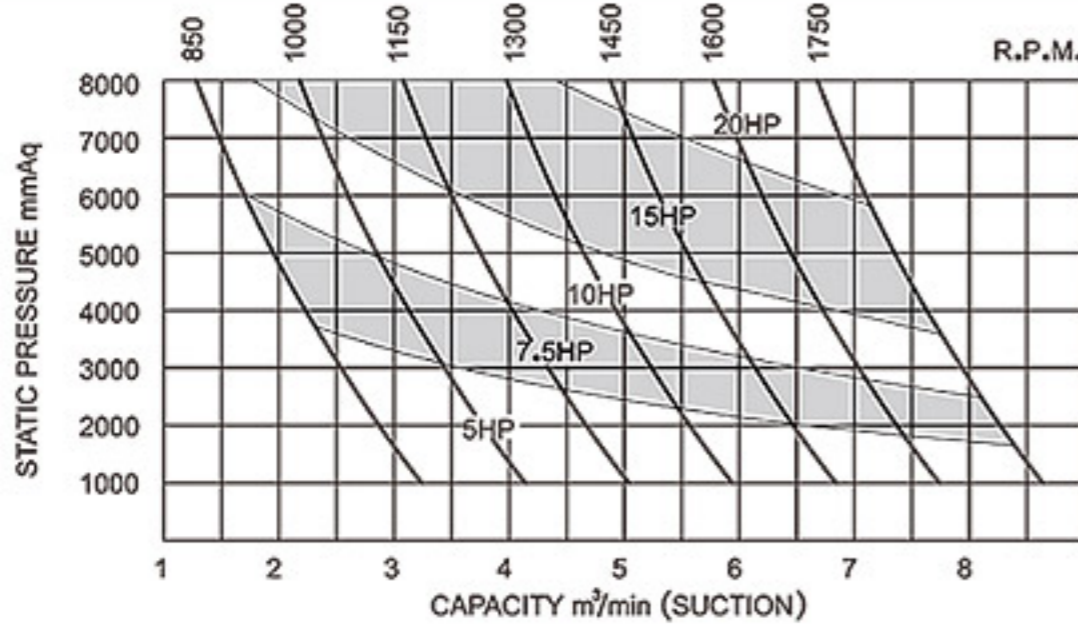
### LT-065



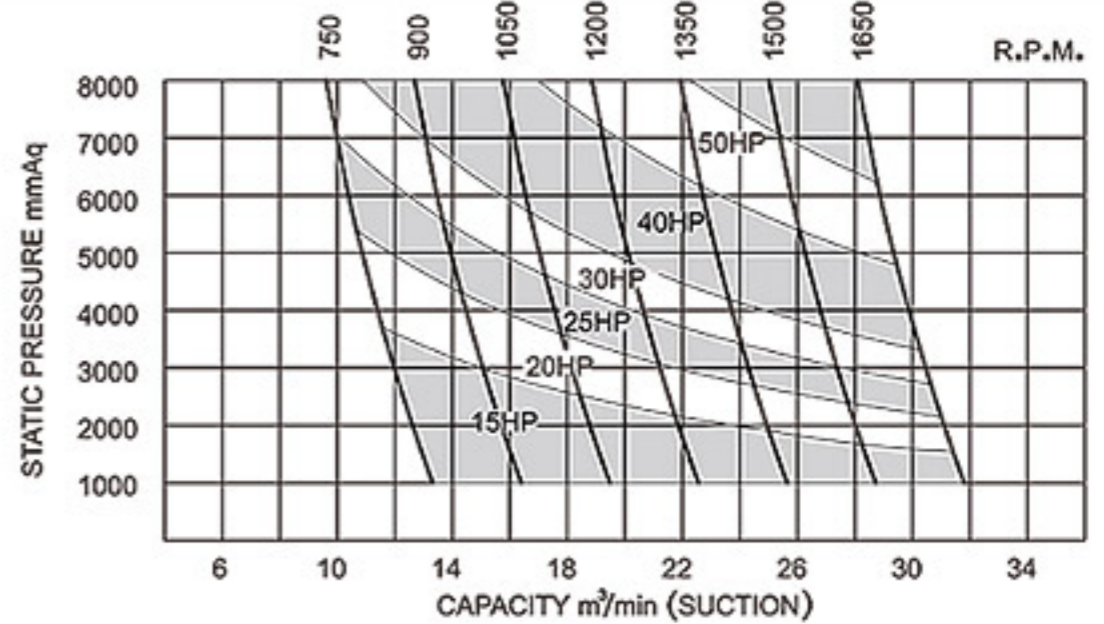
### LT-125



### LT-080

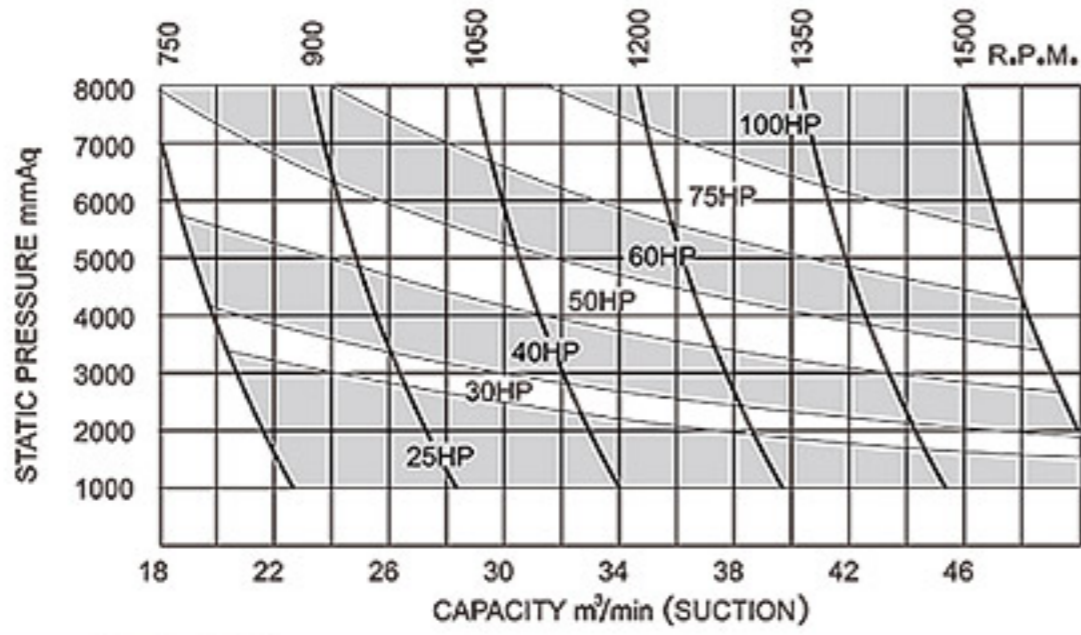


### LT-150

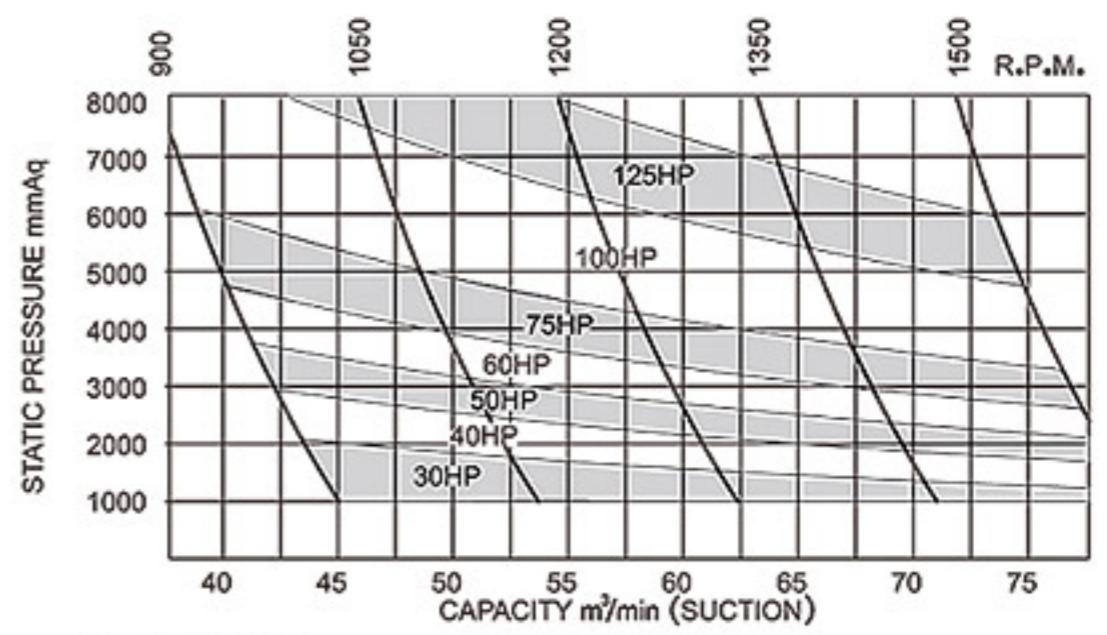


# Pressure Performance Curve

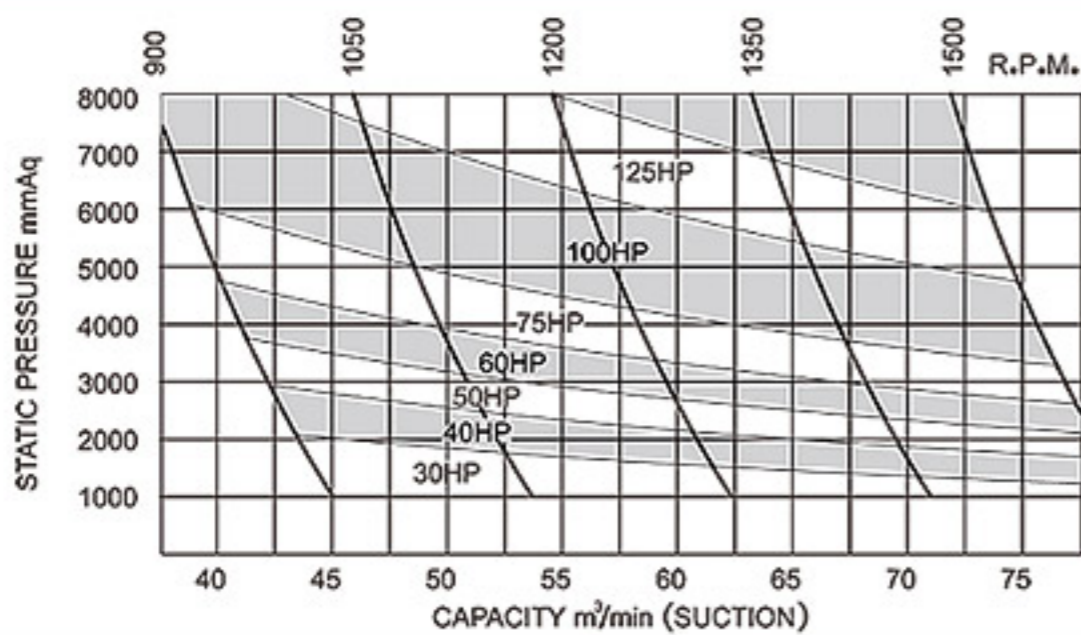
**LT-200**



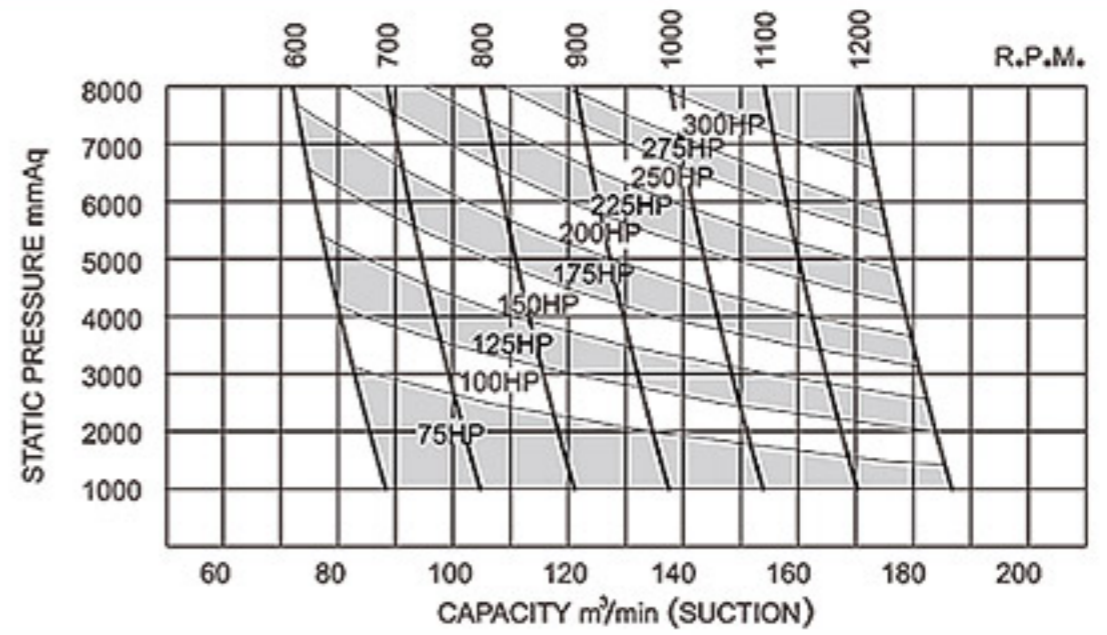
**LT-200A**



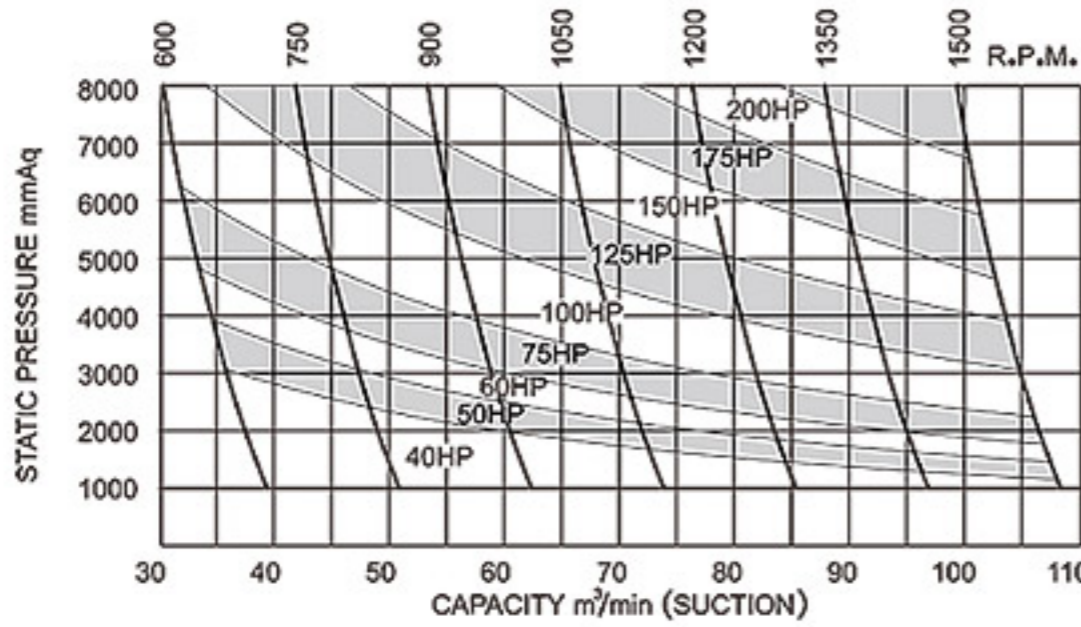
**LT-250**



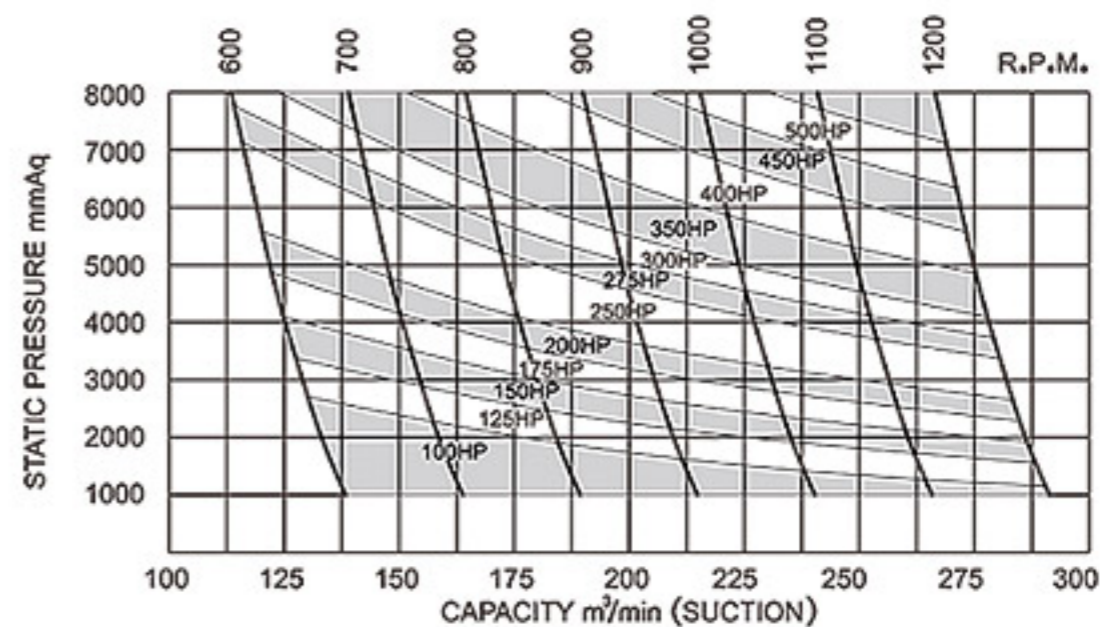
**LT-300A**



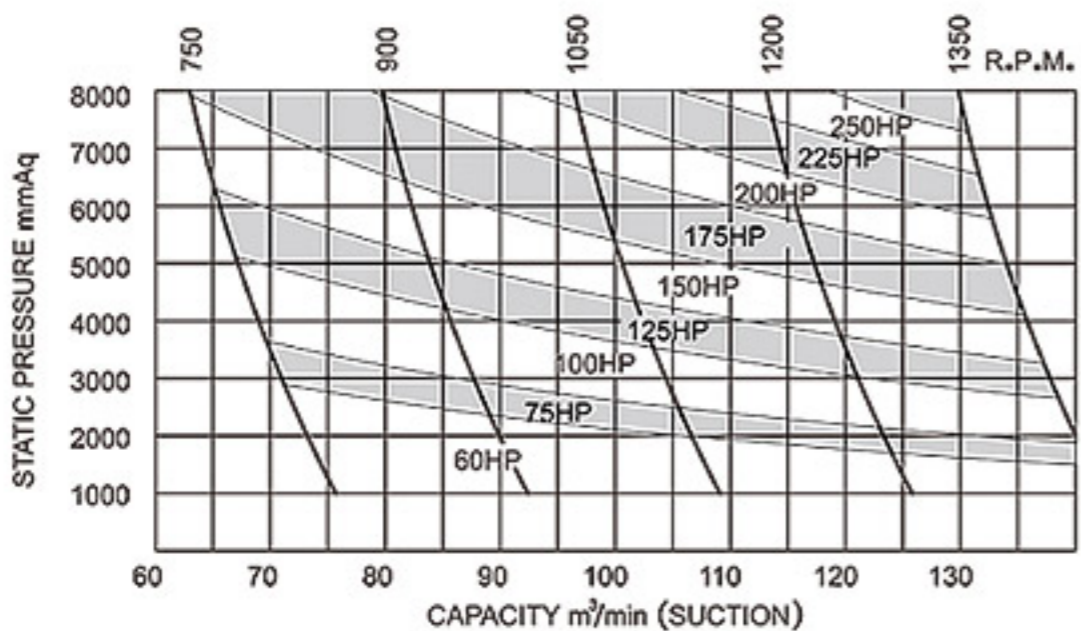
**LT-250A**



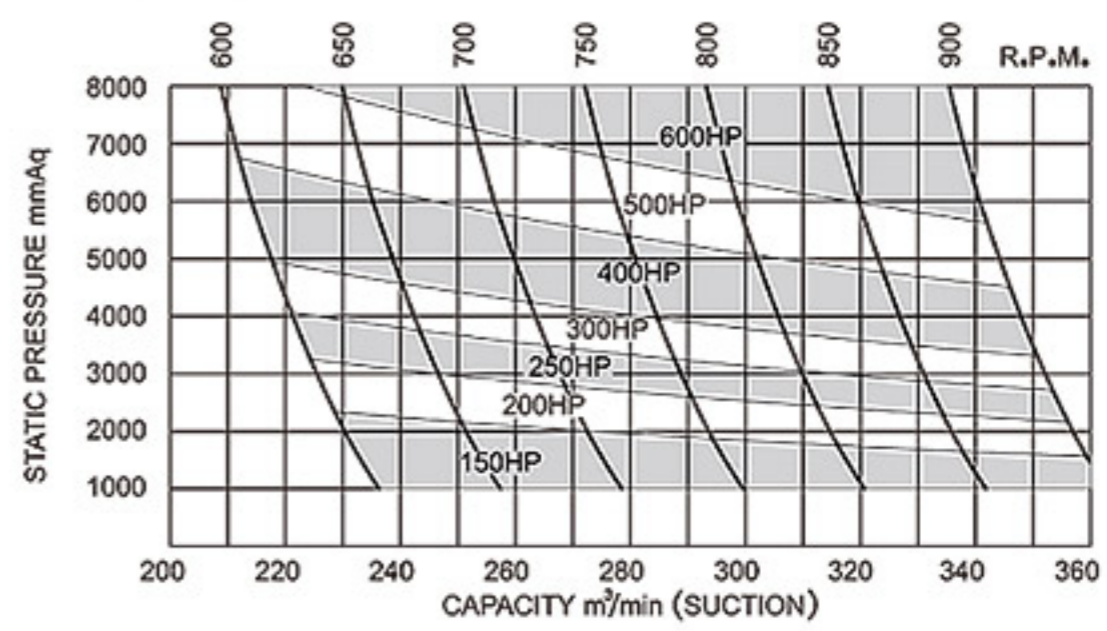
**LT-350**



**LT-300**



**LT-400**



# Vacuum Performance Table

| TYPE    | RPM  | Qs(m <sup>3</sup> /min) |      |           |      | PRESSURE(mmAq) |      |           |      |           |       |           |       | La(Kw)    |       |          |       |
|---------|------|-------------------------|------|-----------|------|----------------|------|-----------|------|-----------|-------|-----------|-------|-----------|-------|----------|-------|
|         |      | -1000mmAq               |      | -2000mmAq |      | -2500mmAq      |      | -3000mmAq |      | -3500mmAq |       | -4000mmAq |       | -5000mmAq |       | 8000mmAq |       |
|         |      | Qs                      | La   | Qs        | La   | Qs             | La   | Qs        | La   | Qs        | La    | Qs        | La    | Qs        | La    | Qs       | La    |
| LTV-040 | 1650 | 0.60                    | 0.19 | 0.58      | 0.37 | 0.55           | 0.44 | 0.51      | 0.50 | 0.50      | 0.56  | 0.48      | 0.62  |           |       |          |       |
|         | 1800 | 0.68                    | 0.21 | 0.65      | 0.40 | 0.62           | 0.48 | 0.59      | 0.55 | 0.58      | 0.61  | 0.55      | 0.67  |           |       |          |       |
|         | 1950 | 0.75                    | 0.23 | 0.72      | 0.43 | 0.70           | 0.51 | 0.66      | 0.59 | 0.65      | 0.67  | 0.62      | 0.73  |           |       |          |       |
|         | 2100 | 0.83                    | 0.24 | 0.80      | 0.47 | 0.77           | 0.55 | 0.74      | 0.64 | 0.72      | 0.72  | 0.70      | 0.79  |           |       |          |       |
|         | 2250 | 0.90                    | 0.26 | 0.87      | 0.50 | 0.85           | 0.59 | 0.81      | 0.69 | 0.80      | 0.77  | 0.77      | 0.84  |           |       |          |       |
|         | 2400 | 0.97                    | 0.28 | 0.95      | 0.53 | 0.92           | 0.63 | 0.88      | 0.73 | 0.87      | 0.82  | 0.85      | 0.90  |           |       |          |       |
|         | 2550 | 1.05                    | 0.30 | 1.02      | 0.57 | 0.99           | 0.67 | 0.96      | 0.78 | 0.95      | 0.87  | 0.92      | 0.95  |           |       |          |       |
| LTV-050 | 850  | 0.99                    | 0.41 | 0.82      | 0.80 | 0.72           | 0.98 | 0.61      | 1.16 | 0.51      | 1.34  | 0.36      | 1.51  | 0.27      | 1.67  | 0.14     | 1.84  |
|         | 1000 | 1.31                    | 0.48 | 1.14      | 0.94 | 1.04           | 1.16 | 0.93      | 1.37 | 0.83      | 1.57  | 0.69      | 1.77  | 0.59      | 1.97  | 0.46     | 2.16  |
|         | 1150 | 1.63                    | 0.56 | 1.47      | 1.08 | 1.36           | 1.33 | 1.25      | 1.57 | 1.15      | 1.81  | 1.01      | 2.04  | 0.91      | 2.27  | 0.79     | 2.49  |
|         | 1300 | 1.95                    | 0.63 | 1.79      | 1.22 | 1.69           | 1.50 | 1.58      | 1.78 | 1.48      | 2.05  | 1.33      | 2.31  | 1.24      | 2.56  | 1.11     | 2.81  |
|         | 1450 | 2.27                    | 0.70 | 2.11      | 1.36 | 2.01           | 1.68 | 1.90      | 1.98 | 1.80      | 2.28  | 1.65      | 2.57  | 1.56      | 2.86  | 1.43     | 3.13  |
|         | 1600 | 2.60                    | 0.77 | 2.43      | 1.50 | 2.33           | 1.85 | 2.22      | 2.19 | 2.12      | 2.52  | 1.97      | 2.84  | 1.88      | 3.15  | 1.75     | 3.46  |
|         | 1750 | 2.92                    | 0.85 | 2.75      | 1.64 | 2.65           | 2.02 | 2.54      | 2.39 | 2.44      | 2.75  | 2.29      | 3.11  | 2.20      | 3.45  | 2.07     | 3.78  |
| LTV-065 | 850  | 2.09                    | 0.66 | 1.91      | 1.28 | 1.80           | 1.58 | 1.68      | 1.87 | 1.55      | 2.15  | 1.41      | 2.42  | 1.26      | 2.69  | 1.09     | 2.95  |
|         | 1000 | 2.60                    | 0.78 | 2.43      | 1.51 | 2.32           | 1.86 | 2.19      | 2.20 | 2.07      | 2.53  | 1.92      | 2.85  | 1.77      | 3.16  | 1.60     | 3.47  |
|         | 1150 | 3.12                    | 0.89 | 2.95      | 1.73 | 2.84           | 2.14 | 2.71      | 2.53 | 2.58      | 2.91  | 2.44      | 3.28  | 2.29      | 3.64  | 2.12     | 3.99  |
|         | 1300 | 3.64                    | 1.01 | 3.46      | 1.96 | 3.35           | 2.41 | 3.23      | 2.86 | 3.10      | 3.29  | 2.96      | 3.71  | 2.81      | 4.11  | 2.64     | 4.51  |
|         | 1450 | 4.15                    | 1.13 | 3.98      | 2.19 | 3.87           | 2.69 | 3.74      | 3.19 | 3.62      | 3.67  | 3.47      | 4.13  | 3.32      | 4.59  | 3.15     | 5.03  |
|         | 1600 | 4.67                    | 1.24 | 4.50      | 2.41 | 4.39           | 2.97 | 4.26      | 3.52 | 4.13      | 4.05  | 3.99      | 4.56  | 3.84      | 5.06  | 3.67     | 5.55  |
|         | 1750 | 5.19                    | 1.36 | 5.01      | 2.64 | 4.90           | 3.25 | 4.78      | 3.85 | 4.65      | 4.42  | 4.51      | 4.99  | 4.36      | 5.54  | 4.19     | 6.08  |
| LTV-080 | 850  | 3.24                    | 1.12 | 2.83      | 2.14 | 2.60           | 2.62 | 2.36      | 3.08 | 2.10      | 3.52  | 1.83      | 3.94  | 1.54      | 4.34  | 1.23     | 4.73  |
|         | 1000 | 4.14                    | 1.32 | 3.73      | 2.52 | 3.50           | 3.08 | 3.26      | 3.62 | 3.00      | 4.14  | 2.73      | 4.63  | 2.44      | 5.11  | 2.13     | 5.57  |
|         | 1150 | 5.04                    | 1.51 | 4.63      | 2.90 | 4.40           | 3.54 | 4.16      | 4.16 | 3.90      | 4.76  | 3.63      | 5.33  | 3.34      | 5.88  | 3.03     | 6.40  |
|         | 1300 | 5.94                    | 1.71 | 5.53      | 3.27 | 5.30           | 4.01 | 5.06      | 4.71 | 4.80      | 5.38  | 4.53      | 6.02  | 4.24      | 6.64  | 3.93     | 7.24  |
|         | 1450 | 6.84                    | 1.91 | 6.43      | 3.65 | 6.20           | 4.47 | 5.96      | 5.25 | 5.70      | 6.00  | 5.43      | 6.72  | 5.14      | 7.41  | 4.83     | 8.08  |
|         | 1600 | 7.74                    | 2.11 | 7.33      | 4.03 | 7.10           | 4.93 | 6.86      | 5.79 | 6.60      | 6.62  | 6.33      | 7.41  | 6.04      | 8.18  | 5.73     | 8.91  |
|         | 1750 | 8.64                    | 2.30 | 8.23      | 4.41 | 8.00           | 5.39 | 7.76      | 6.33 | 7.50      | 7.24  | 7.23      | 8.11  | 6.94      | 8.94  | 6.63     | 9.75  |
| LTV-100 | 850  | 5.79                    | 1.57 | 5.19      | 3.00 | 4.85           | 3.67 | 4.48      | 4.31 | 4.09      | 4.92  | 3.67      | 5.51  | 3.22      | 6.08  | 2.74     | 6.63  |
|         | 1000 | 7.05                    | 1.84 | 6.45      | 3.53 | 6.11           | 4.31 | 5.74      | 5.07 | 5.35      | 5.79  | 4.93      | 6.49  | 4.48      | 7.15  | 4.00     | 7.80  |
|         | 1150 | 8.31                    | 2.12 | 7.71      | 4.05 | 7.37           | 4.96 | 7.00      | 5.83 | 6.61      | 6.66  | 6.19      | 7.46  | 5.74      | 8.23  | 5.26     | 8.97  |
|         | 1300 | 9.57                    | 2.40 | 8.97      | 4.58 | 8.63           | 5.61 | 8.26      | 6.59 | 7.87      | 7.53  | 7.45      | 8.43  | 7.00      | 9.30  | 6.52     | 10.14 |
|         | 1450 | 10.83                   | 2.67 | 10.23     | 5.11 | 9.89           | 6.25 | 9.52      | 7.35 | 9.13      | 8.40  | 8.71      | 9.41  | 8.26      | 10.37 | 7.78     | 11.31 |
|         | 1600 | 12.09                   | 2.95 | 11.49     | 5.64 | 11.15          | 6.90 | 10.78     | 8.11 | 10.39     | 9.27  | 9.97      | 10.38 | 9.52      | 11.45 | 9.04     | 12.47 |
|         | 1750 | 13.35                   | 3.23 | 12.75     | 6.17 | 12.41          | 7.55 | 12.04     | 8.87 | 11.65     | 10.14 | 11.23     | 11.35 | 10.78     | 12.52 | 10.30    | 13.64 |

# Vacuum Performance Table

| TYPE             | RPM  | Qs(m <sup>3</sup> /min) |       |           |       | PRESSURE(mmAq) |       |           |       |           |       |           |       | La(Kw)    |       |           |       |
|------------------|------|-------------------------|-------|-----------|-------|----------------|-------|-----------|-------|-----------|-------|-----------|-------|-----------|-------|-----------|-------|
|                  |      | -1000mmAq               |       | -2000mmAq |       | -2500mmAq      |       | -3000mmAq |       | -3500mmAq |       | -4000mmAq |       | -4500mmAq |       | -5000mmAq |       |
|                  |      | Qs                      | La    | Qs        | La    | Qs             | La    | Qs        | La    | Qs        | La    | Qs        | La    | Qs        | La    | Qs        | La    |
| <b>LTV-125 S</b> | 750  | 8.13                    | 2.05  | 7.35      | 3.91  | 6.93           | 4.79  | 6.48      | 5.63  | 6.01      | 6.43  | 5.53      | 7.20  | 5.00      | 7.94  | 4.46      | 8.66  |
|                  | 900  | 10.02                   | 2.46  | 9.24      | 4.70  | 8.82           | 5.75  | 8.37      | 6.75  | 7.90      | 7.72  | 7.42      | 8.64  | 6.89      | 9.53  | 6.35      | 10.39 |
|                  | 1050 | 11.91                   | 2.86  | 11.13     | 5.48  | 10.71          | 6.70  | 10.26     | 7.88  | 9.79      | 9.00  | 9.31      | 10.08 | 8.78      | 11.12 | 8.24      | 12.12 |
|                  | 1200 | 13.80                   | 3.27  | 13.02     | 6.26  | 12.60          | 7.66  | 12.15     | 9.00  | 11.68     | 10.29 | 11.20     | 11.52 | 10.67     | 12.71 | 10.13     | 13.85 |
|                  | 1350 | 15.69                   | 3.68  | 14.91     | 7.04  | 14.49          | 8.62  | 14.04     | 10.13 | 13.57     | 11.57 | 13.09     | 12.96 | 12.56     | 14.30 | 12.02     | 15.59 |
|                  | 1500 | 17.58                   | 4.09  | 16.80     | 7.83  | 16.38          | 9.58  | 15.93     | 11.25 | 15.46     | 12.86 | 14.98     | 14.40 | 14.45     | 15.89 | 13.91     | 17.32 |
|                  | 1650 | 19.47                   | 4.50  | 18.69     | 8.61  | 18.27          | 10.53 | 17.82     | 12.38 | 17.35     | 14.14 | 16.87     | 15.84 | 16.34     | 17.48 | 15.80     | 19.05 |
| <b>LTV-125</b>   | 750  | 10.29                   | 2.59  | 9.30      | 4.96  | 8.78           | 6.06  | 8.20      | 7.13  | 7.61      | 8.14  | 7.01      | 9.12  | 6.34      | 10.06 | 5.65      | 10.97 |
|                  | 900  | 12.69                   | 3.11  | 11.70     | 5.95  | 11.17          | 7.28  | 10.60     | 8.55  | 10.01     | 9.77  | 9.40      | 10.95 | 8.73      | 12.07 | 8.04      | 13.16 |
|                  | 1050 | 15.08                   | 3.63  | 14.09     | 6.94  | 13.57          | 8.49  | 12.99     | 9.98  | 12.40     | 11.40 | 11.79     | 12.77 | 11.12     | 14.09 | 10.44     | 15.35 |
|                  | 1200 | 17.48                   | 4.15  | 16.49     | 7.93  | 15.96          | 9.70  | 15.39     | 11.40 | 14.79     | 13.03 | 14.19     | 14.59 | 13.52     | 16.10 | 12.83     | 17.55 |
|                  | 1350 | 19.87                   | 4.66  | 18.88     | 8.92  | 18.35          | 10.92 | 17.78     | 12.83 | 17.19     | 14.66 | 16.58     | 16.42 | 15.91     | 18.11 | 15.23     | 19.74 |
|                  | 1500 | 22.26                   | 5.18  | 21.27     | 9.91  | 20.75          | 12.13 | 20.17     | 14.25 | 19.58     | 16.29 | 18.98     | 18.24 | 18.31     | 20.12 | 17.62     | 21.93 |
|                  | 1650 | 24.66                   | 5.70  | 23.67     | 10.90 | 23.14          | 13.34 | 22.57     | 15.68 | 21.98     | 17.92 | 21.37     | 20.07 | 20.70     | 22.14 | 20.01     | 24.13 |
| <b>LTV-150</b>   | 750  | 13.32                   | 3.34  | 12.55     | 6.39  | 12.14          | 7.82  | 11.69     | 9.19  | 11.20     | 10.50 | 10.68     | 11.76 | 10.13     | 12.97 | 9.55      | 14.14 |
|                  | 900  | 16.40                   | 4.01  | 15.64     | 7.67  | 15.23          | 9.38  | 14.78     | 11.03 | 14.28     | 12.60 | 13.77     | 14.11 | 13.21     | 15.57 | 12.64     | 16.97 |
|                  | 1050 | 19.49                   | 4.68  | 18.73     | 8.95  | 18.32          | 10.95 | 17.86     | 12.86 | 17.37     | 14.70 | 16.86     | 16.47 | 16.30     | 18.16 | 15.72     | 19.80 |
|                  | 1200 | 22.58                   | 5.35  | 21.81     | 10.23 | 21.40          | 12.51 | 20.95     | 14.70 | 20.46     | 16.80 | 19.94     | 18.82 | 19.39     | 20.76 | 18.81     | 22.62 |
|                  | 1350 | 25.66                   | 6.02  | 24.90     | 11.50 | 24.49          | 14.07 | 24.04     | 16.54 | 23.54     | 18.90 | 23.03     | 21.17 | 22.47     | 23.35 | 21.90     | 25.45 |
|                  | 1500 | 28.75                   | 6.68  | 27.99     | 12.78 | 27.58          | 15.64 | 27.12     | 18.38 | 26.63     | 21.00 | 26.12     | 23.52 | 25.56     | 25.95 | 24.98     | 28.28 |
|                  | 1650 | 31.84                   | 7.35  | 31.08     | 14.06 | 30.66          | 17.20 | 30.21     | 20.21 | 29.72     | 23.10 | 29.20     | 25.88 | 28.65     | 28.54 | 28.07     | 31.11 |
| <b>LTV-200</b>   | 600  | 17.01                   | 4.84  | 15.99     | 9.27  | 15.42          | 11.34 | 14.86     | 13.32 | 14.21     | 15.23 | 13.49     | 17.06 | 12.78     | 18.82 | 11.98     | 20.51 |
|                  | 750  | 22.68                   | 6.05  | 21.66     | 11.58 | 21.09          | 14.17 | 20.53     | 16.65 | 19.88     | 19.04 | 19.16     | 21.32 | 18.45     | 23.52 | 17.65     | 25.64 |
|                  | 900  | 28.35                   | 7.27  | 27.33     | 13.90 | 26.76          | 17.01 | 26.20     | 19.98 | 25.55     | 22.84 | 24.83     | 25.59 | 24.12     | 28.23 | 23.32     | 30.77 |
|                  | 1050 | 34.02                   | 8.48  | 33.00     | 16.22 | 32.43          | 19.84 | 31.87     | 23.32 | 31.22     | 26.65 | 30.50     | 29.85 | 29.79     | 32.93 | 28.99     | 35.89 |
|                  | 1200 | 39.69                   | 9.69  | 38.67     | 18.53 | 38.10          | 22.67 | 37.54     | 26.65 | 36.89     | 30.46 | 36.17     | 34.12 | 35.46     | 37.64 | 34.66     | 41.02 |
|                  | 1350 | 45.36                   | 10.90 | 44.34     | 20.85 | 43.77          | 25.51 | 43.21     | 29.98 | 42.56     | 34.26 | 41.84     | 38.38 | 41.13     | 42.34 | 40.33     | 46.15 |
|                  | 1500 | 51.03                   | 12.11 | 50.01     | 23.17 | 49.44          | 28.34 | 48.88     | 33.31 | 48.23     | 38.07 | 47.51     | 42.65 | 46.80     | 47.05 | 46.00     | 51.28 |
| <b>LTV-200A</b>  | 600  | 27.72                   | 7.40  | 26.22     | 14.16 | 25.35          | 17.32 | 24.43     | 20.35 | 23.45     | 23.27 | 22.35     | 26.06 | 21.19     | 28.75 | 19.98     | 31.34 |
|                  | 750  | 36.38                   | 9.25  | 34.88     | 17.70 | 34.01          | 21.65 | 33.09     | 25.44 | 32.11     | 29.08 | 31.01     | 32.58 | 29.86     | 35.94 | 28.64     | 39.17 |
|                  | 900  | 45.05                   | 11.10 | 43.54     | 21.24 | 42.68          | 25.98 | 41.75     | 30.53 | 40.77     | 34.90 | 39.67     | 39.09 | 38.52     | 43.13 | 37.31     | 47.01 |
|                  | 1050 | 53.71                   | 12.95 | 52.21     | 24.77 | 51.34          | 30.31 | 50.42     | 35.62 | 49.43     | 40.72 | 48.34     | 45.61 | 47.18     | 50.31 | 45.97     | 54.84 |
|                  | 1200 | 62.37                   | 14.80 | 60.87     | 28.31 | 60.00          | 34.64 | 59.08     | 40.71 | 58.10     | 46.53 | 57.00     | 52.12 | 55.84     | 57.50 | 54.63     | 62.67 |
|                  | 1350 | 71.03                   | 16.65 | 69.53     | 31.85 | 68.66          | 38.97 | 67.74     | 45.80 | 66.76     | 52.35 | 65.66     | 58.64 | 64.51     | 64.69 | 63.29     | 70.51 |
|                  | 1500 | 79.70                   | 18.50 | 78.19     | 35.39 | 77.33          | 43.30 | 76.40     | 50.89 | 75.42     | 58.16 | 74.32     | 65.16 | 73.17     | 71.88 | 71.96     | 78.34 |

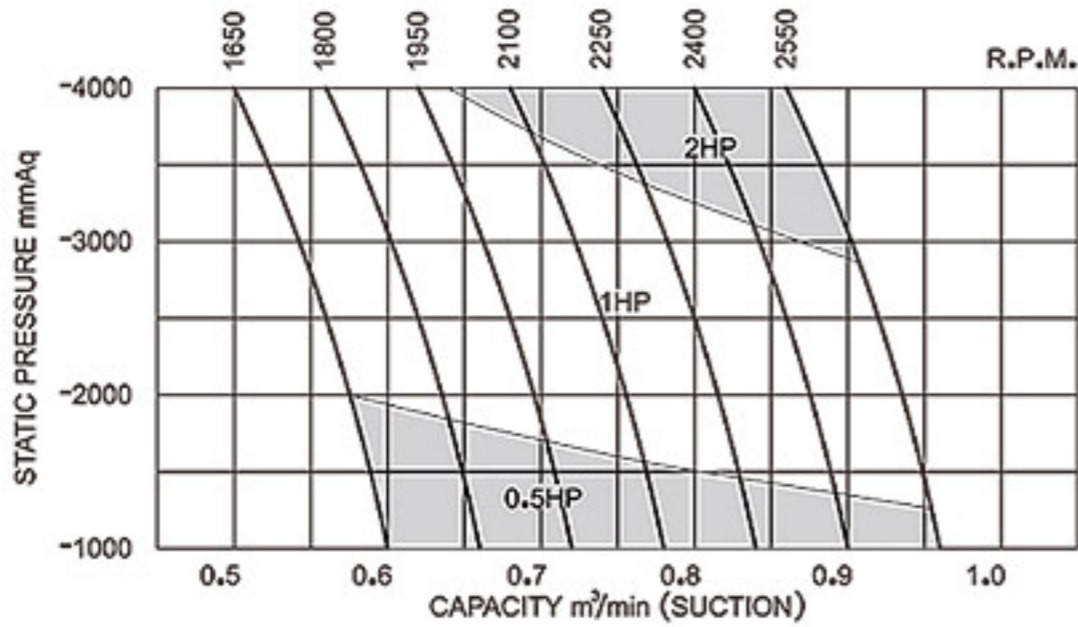


# Vacuum Performance Table

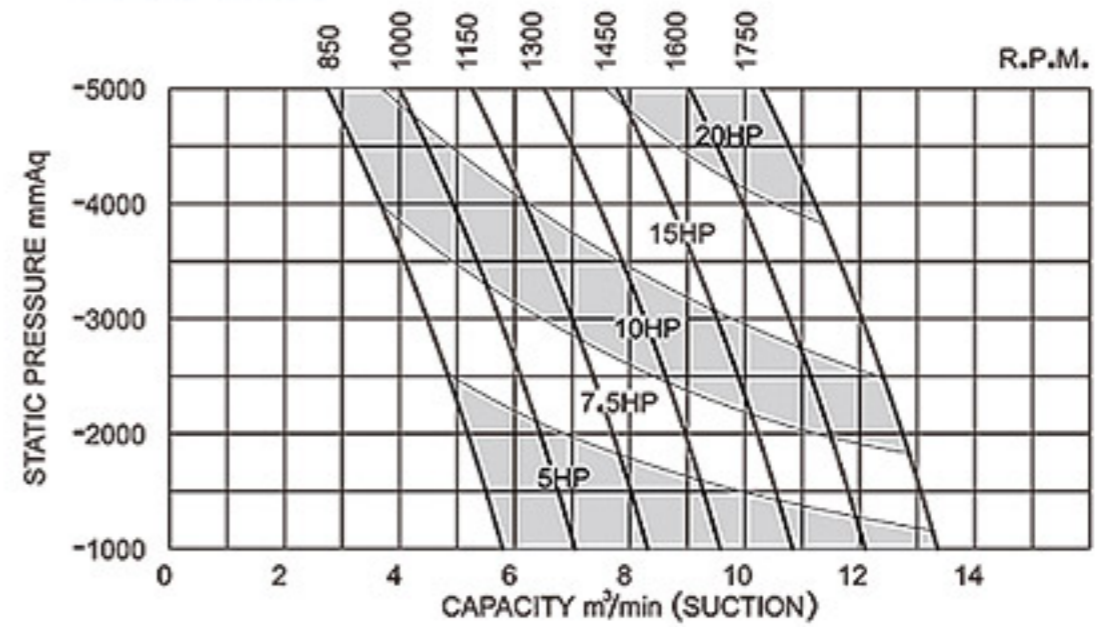
| TYPE     | RPM  | Qs(m <sup>3</sup> /min) |       |           |       | PRESSURE(mmAq) |       |           |       |           |       |           |       | La(Kw)    |       |           |       |
|----------|------|-------------------------|-------|-----------|-------|----------------|-------|-----------|-------|-----------|-------|-----------|-------|-----------|-------|-----------|-------|
|          |      | -1000mmAq               |       | -2000mmAq |       | -2500mmAq      |       | -3000mmAq |       | -3500mmAq |       | -4000mmAq |       | -4500mmAq |       | -5000mmAq |       |
|          |      | Qs                      | La    | Qs        | La    | Qs             | La    | Qs        | La    | Qs        | La    | Qs        | La    | Qs        | La    | Qs        | La    |
| LTV-250  | 600  | 27.72                   | 7.40  | 26.22     | 14.16 | 25.35          | 17.32 | 24.43     | 20.35 | 23.45     | 23.27 | 22.35     | 26.06 | 21.19     | 28.75 | 19.98     | 31.34 |
|          | 750  | 36.38                   | 9.25  | 34.88     | 17.70 | 34.01          | 21.65 | 33.09     | 25.44 | 32.11     | 29.08 | 31.01     | 32.58 | 29.86     | 35.94 | 28.64     | 39.17 |
|          | 900  | 45.05                   | 11.10 | 43.54     | 21.24 | 42.68          | 25.98 | 41.75     | 30.53 | 40.77     | 34.90 | 39.67     | 39.09 | 38.52     | 43.13 | 37.31     | 47.01 |
|          | 1050 | 53.71                   | 12.95 | 52.21     | 24.77 | 51.34          | 30.31 | 50.42     | 35.62 | 49.43     | 40.72 | 48.34     | 45.61 | 47.18     | 50.31 | 45.97     | 54.84 |
|          | 1200 | 62.37                   | 14.80 | 60.87     | 28.31 | 60.00          | 34.64 | 59.08     | 40.71 | 58.10     | 46.53 | 57.00     | 52.12 | 55.84     | 57.50 | 54.63     | 62.67 |
|          | 1350 | 71.03                   | 16.65 | 69.53     | 31.85 | 68.66          | 38.97 | 67.74     | 45.80 | 66.76     | 52.35 | 65.66     | 58.64 | 64.51     | 64.69 | 63.29     | 70.51 |
|          | 1500 | 79.70                   | 18.50 | 78.19     | 35.39 | 77.33          | 43.30 | 76.40     | 50.89 | 75.42     | 58.16 | 74.32     | 65.16 | 73.17     | 71.88 | 71.96     | 78.34 |
| LTV-250A | 600  | 39.31                   | 10.34 | 37.13     | 17.81 | 35.63          | 21.47 | 34.37     | 25.13 | 33.01     | 28.89 | 31.74     | 32.48 | 30.37     | 35.83 | 28.82     | 39.97 |
|          | 750  | 50.78                   | 12.92 | 48.60     | 22.26 | 47.09          | 26.84 | 45.84     | 31.41 | 44.48     | 36.12 | 43.21     | 40.59 | 41.83     | 44.78 | 40.29     | 49.97 |
|          | 900  | 62.25                   | 15.50 | 60.07     | 26.72 | 58.56          | 32.21 | 57.31     | 37.70 | 55.95     | 43.34 | 54.68     | 48.71 | 53.30     | 53.74 | 51.76     | 59.96 |
|          | 1050 | 73.71                   | 18.09 | 71.53     | 31.17 | 70.03          | 37.57 | 68.77     | 43.98 | 67.41     | 50.57 | 66.14     | 56.83 | 64.77     | 62.70 | 63.22     | 69.95 |
|          | 1200 | 85.18                   | 20.67 | 83.00     | 35.62 | 81.50          | 42.94 | 80.24     | 50.26 | 78.88     | 57.79 | 77.61     | 64.95 | 76.24     | 71.65 | 74.69     | 79.95 |
|          | 1350 | 96.65                   | 23.26 | 94.47     | 40.07 | 92.96          | 48.31 | 91.71     | 56.55 | 90.35     | 65.01 | 89.08     | 73.07 | 87.70     | 80.61 | 86.16     | 89.94 |
|          | 1500 | 108.10                  | 25.84 | 105.9     | 44.53 | 104.4          | 53.68 | 103.2     | 62.83 | 101.8     | 72.24 | 100.5     | 81.19 | 99.17     | 89.57 | 97.63     | 99.93 |
| LTV-300  | 600  | 58.94                   | 14.25 | 56.27     | 27.26 | 54.82          | 33.35 | 53.15     | 39.19 | 51.49     | 44.80 | 49.71     | 50.18 | 47.70     | 55.36 | 45.70     | 60.34 |
|          | 750  | 75.62                   | 17.81 | 72.95     | 34.07 | 71.50          | 41.69 | 69.83     | 48.99 | 68.17     | 56.00 | 66.39     | 62.72 | 64.38     | 69.20 | 63.38     | 75.42 |
|          | 900  | 92.30                   | 21.38 | 89.63     | 40.89 | 88.18          | 50.02 | 86.51     | 58.79 | 84.85     | 67.20 | 83.07     | 75.27 | 81.06     | 83.04 | 79.06     | 90.51 |
|          | 1050 | 109.0                   | 24.94 | 106.3     | 47.70 | 104.9          | 58.36 | 103.2     | 68.58 | 101.5     | 78.40 | 99.75     | 87.81 | 97.74     | 96.88 | 95.74     | 105.6 |
|          | 1200 | 125.7                   | 28.50 | 123.0     | 54.52 | 121.5          | 66.70 | 119.9     | 78.38 | 118.2     | 89.60 | 116.4     | 100.4 | 114.4     | 110.7 | 112.4     | 120.7 |
|          | 1350 | 142.3                   | 32.06 | 139.7     | 61.33 | 138.2          | 75.04 | 136.6     | 88.18 | 134.9     | 100.8 | 133.1     | 112.9 | 131.1     | 124.6 | 129.1     | 135.8 |
|          | 1500 | 159.0                   | 35.63 | 156.3     | 68.15 | 154.9          | 83.37 | 153.2     | 97.98 | 151.6     | 112.0 | 149.8     | 125.4 | 147.8     | 138.4 | 145.8     | 150.8 |
| LTV-300A | 600  | 88.2                    | 21.04 | 84.4      | 36.86 | 82.0           | 44.47 | 79.7      | 53.34 | 77.7      | 60.6  | 75.3      | 68.0  | 72.5      | 77.0  | 69.0      | 84.7  |
|          | 700  | 104.6                   | 24.54 | 100.9     | 43.01 | 98.4           | 51.88 | 96.2      | 62.23 | 94.1      | 70.6  | 91.8      | 79.4  | 89.0      | 89.8  | 85.5      | 98.9  |
|          | 800  | 121.0                   | 28.05 | 117.3     | 49.15 | 114.8          | 59.29 | 112.6     | 71.12 | 110.5     | 80.7  | 108.2     | 90.7  | 105.4     | 102.7 | 101.9     | 113.0 |
|          | 900  | 137.5                   | 31.56 | 133.7     | 55.29 | 131.3          | 66.70 | 129.1     | 80.00 | 127.0     | 90.8  | 124.7     | 102.0 | 121.8     | 115.5 | 118.4     | 127.1 |
|          | 1000 | 153.9                   | 35.06 | 150.2     | 61.44 | 147.7          | 74.11 | 145.5     | 88.89 | 143.4     | 100.9 | 141.1     | 113.4 | 138.3     | 128.3 | 134.8     | 141.2 |
|          | 1100 | 170.3                   | 38.57 | 166.6     | 67.58 | 164.1          | 81.52 | 161.9     | 97.78 | 159.9     | 111.0 | 157.5     | 124.7 | 154.7     | 141.2 | 151.2     | 155.3 |
|          | 1200 | 186.8                   | 42.07 | 183.0     | 73.72 | 180.6          | 88.93 | 178.4     | 106.7 | 176.3     | 121.1 | 174.0     | 136.1 | 171.1     | 154.0 | 167.7     | 169.5 |
| LTV-350  | 600  | 138.1                   | 32.72 | 132.3     | 57.32 | 128.5          | 69.15 | 124.7     | 82.94 | 121.4     | 94.16 | 117.9     | 105.8 | 113.5     | 119.8 | 107.9     | 131.7 |
|          | 700  | 163.6                   | 38.17 | 157.8     | 66.87 | 154.0          | 80.67 | 150.2     | 96.77 | 146.9     | 109.9 | 143.4     | 123.4 | 139.0     | 139.7 | 133.4     | 153.7 |
|          | 800  | 189.1                   | 43.63 | 183.3     | 76.42 | 179.5          | 92.20 | 175.7     | 110.6 | 172.4     | 125.6 | 168.9     | 141.1 | 164.5     | 159.7 | 158.9     | 175.7 |
|          | 900  | 214.6                   | 49.08 | 208.8     | 85.97 | 205.0          | 103.7 | 201.2     | 124.4 | 197.9     | 141.2 | 194.4     | 158.7 | 190.0     | 179.6 | 184.4     | 197.6 |
|          | 1000 | 240.1                   | 54.53 | 234.3     | 95.53 | 230.5          | 115.2 | 226.7     | 138.2 | 223.4     | 156.9 | 219.9     | 176.3 | 215.5     | 199.6 | 209.9     | 219.6 |
|          | 1100 | 265.6                   | 59.99 | 259.8     | 105.1 | 256.0          | 126.8 | 252.2     | 152.1 | 248.9     | 172.6 | 245.4     | 193.9 | 241.0     | 219.6 | 235.4     | 241.5 |
|          | 1200 | 291.1                   | 65.44 | 285.3     | 114.6 | 281.5          | 138.3 | 277.7     | 165.9 | 274.4     | 188.3 | 270.9     | 211.6 | 266.5     | 239.5 | 260.9     | 263.5 |
| LTV-400  | 600  | 236.3                   | 52.99 | 228.3     | 95.77 | 224.6          | 117.3 | 219.5     | 137.9 | 216.6     | 159.0 | 212.4     | 180.5 | 209.4     | 212.8 | 203.5     | 223.0 |
|          | 650  | 257.4                   | 57.40 | 249.4     | 103.8 | 245.6          | 127.1 | 240.5     | 149.4 | 237.6     | 172.3 | 233.4     | 195.5 | 230.5     | 230.5 | 224.6     | 241.6 |
|          | 700  | 278.4                   | 61.82 | 270.4     | 111.7 | 266.6          | 136.8 | 261.6     | 160.9 | 258.6     | 185.5 | 254.4     | 210.6 | 251.5     | 248.3 | 245.6     | 260.2 |
|          | 750  | 299.4                   | 66.23 | 291.4     | 119.7 | 287.6          | 146.6 | 282.6     | 172.4 | 279.7     | 198.8 | 275.4     | 225.6 | 272.5     | 266.0 | 266.6     | 278.8 |
|          | 800  | 320.4                   | 70.65 | 312.5     | 127.7 | 308.7          | 156.4 | 303.6     | 183.9 | 300.7     | 212.0 | 296.5     | 240.7 | 293.5     | 283.7 | 287.6     | 297.3 |
|          | 850  | 341.5                   | 75.07 | 333.5     | 135.7 | 329.7          | 166.2 | 324.6     | 195.4 | 321.7     | 225.3 | 317.5     | 255.7 | 314.6     | 301.5 | 308.7     | 315.9 |
|          | 900  | 362.5                   | 79.48 | 354.5     | 143.7 | 350.7          | 175.9 | 345.7     | 206.9 | 342.7     | 238.5 | 338.5     | 270.7 | 335.6     | 319.2 | 329.7     | 334.5 |

# Vacuum Performance Curve

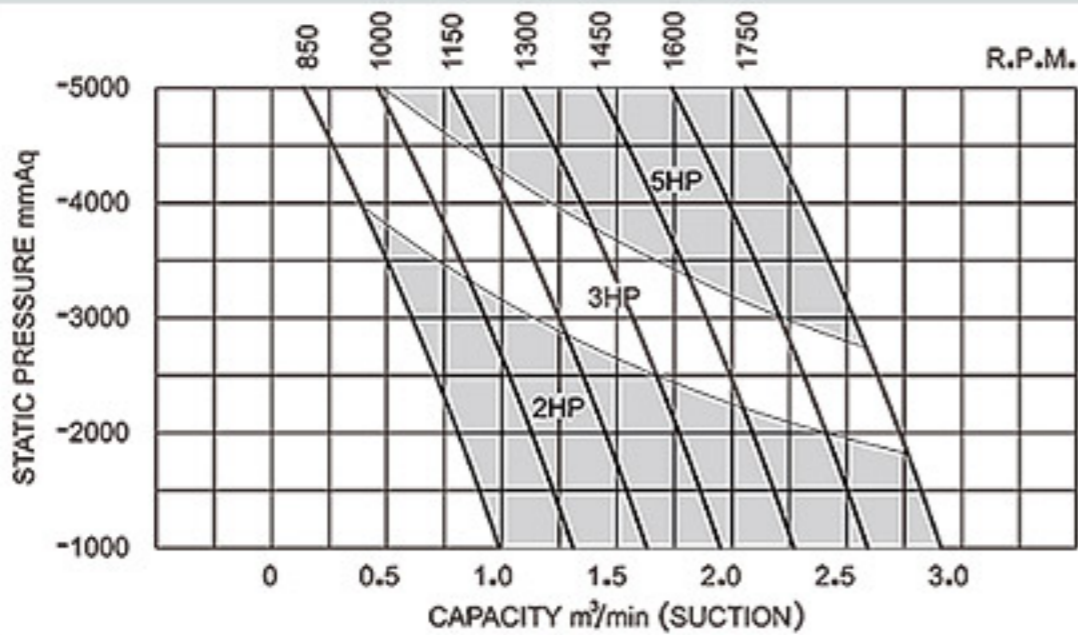
**LTV-040**



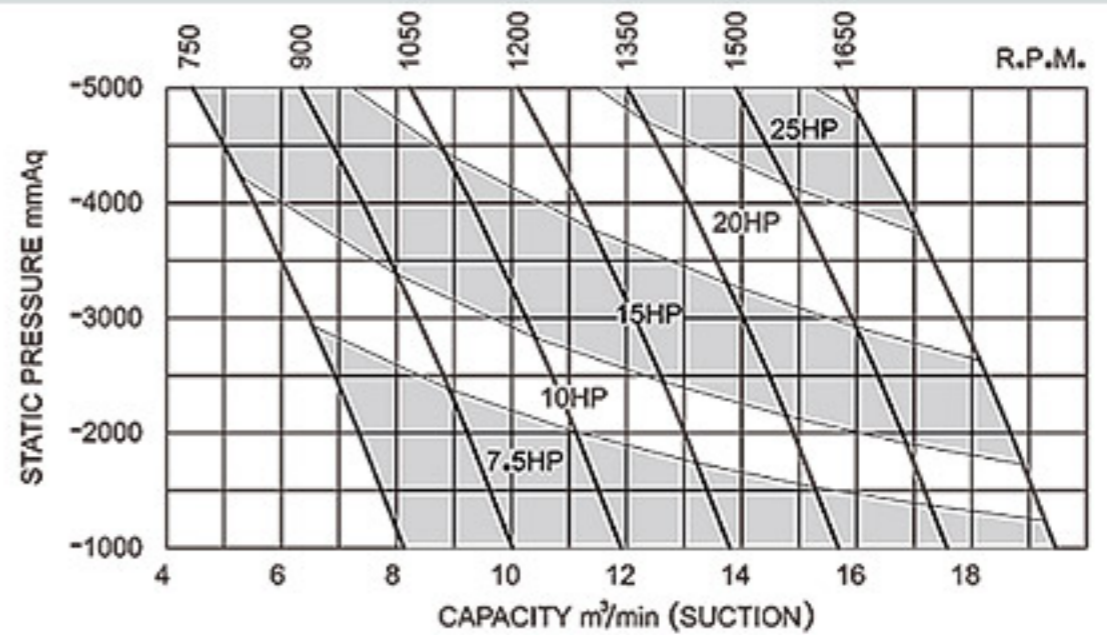
**LTV-100**



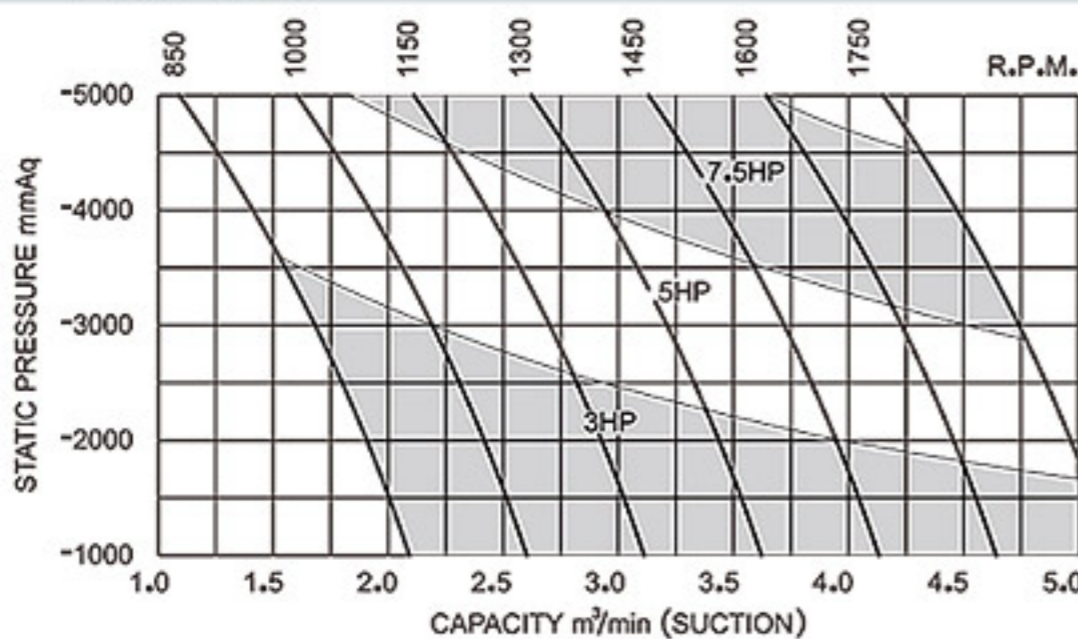
**LTV-050**



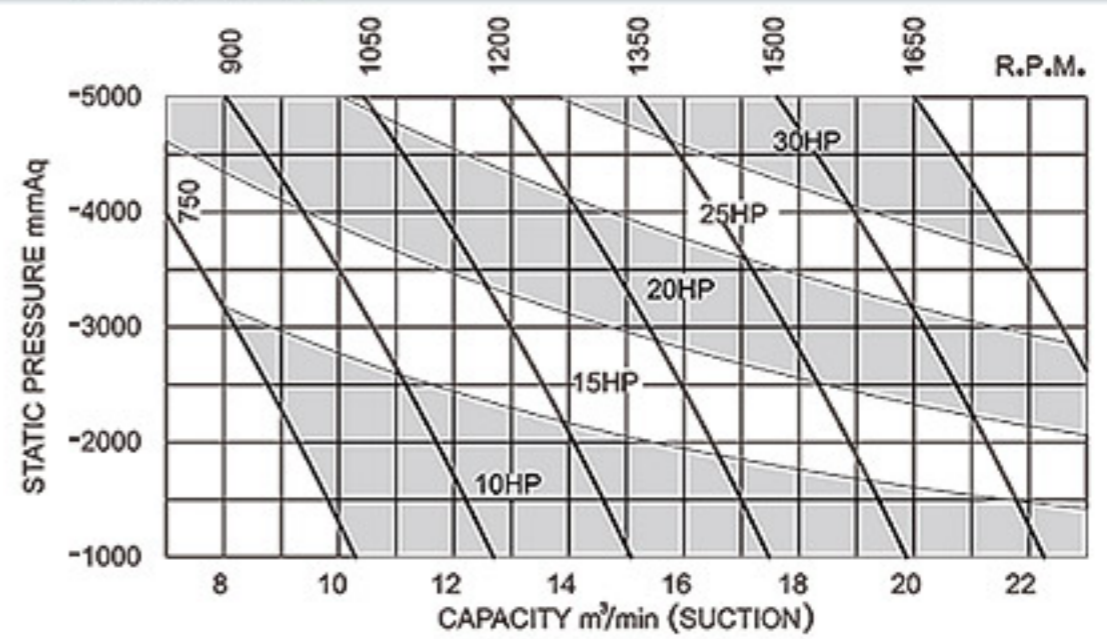
**LTV-125S**



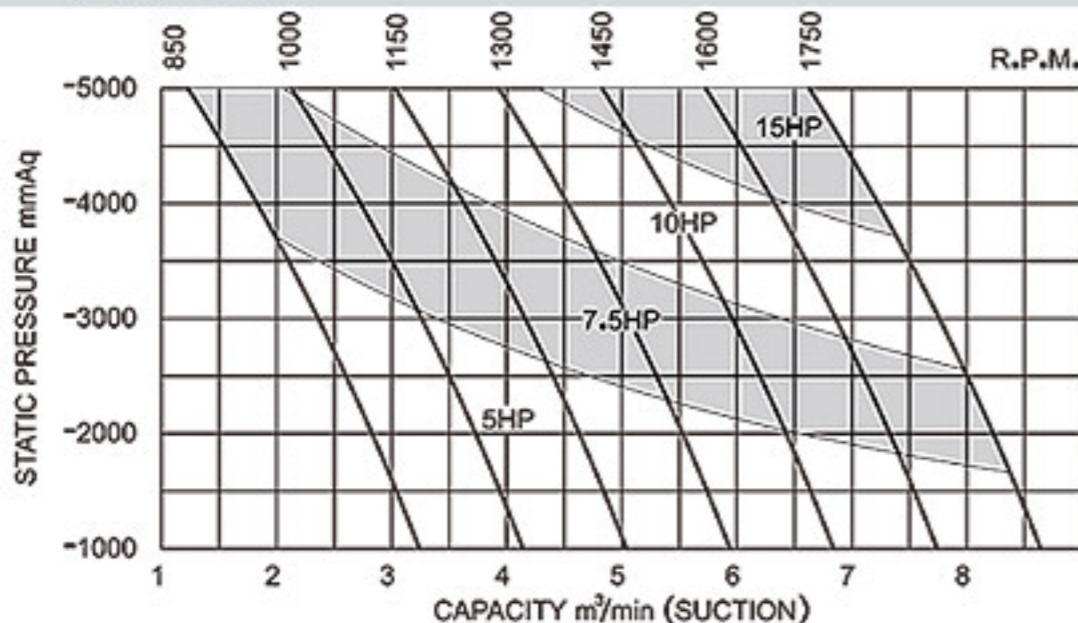
**LTV-065**



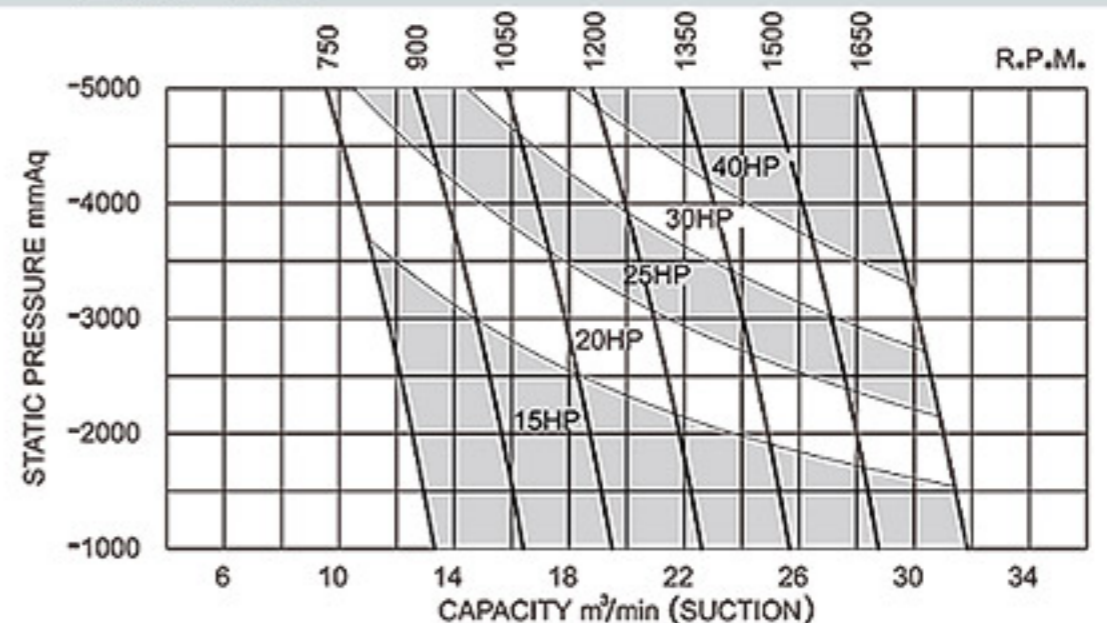
**LTV-125**



**LTV-080**

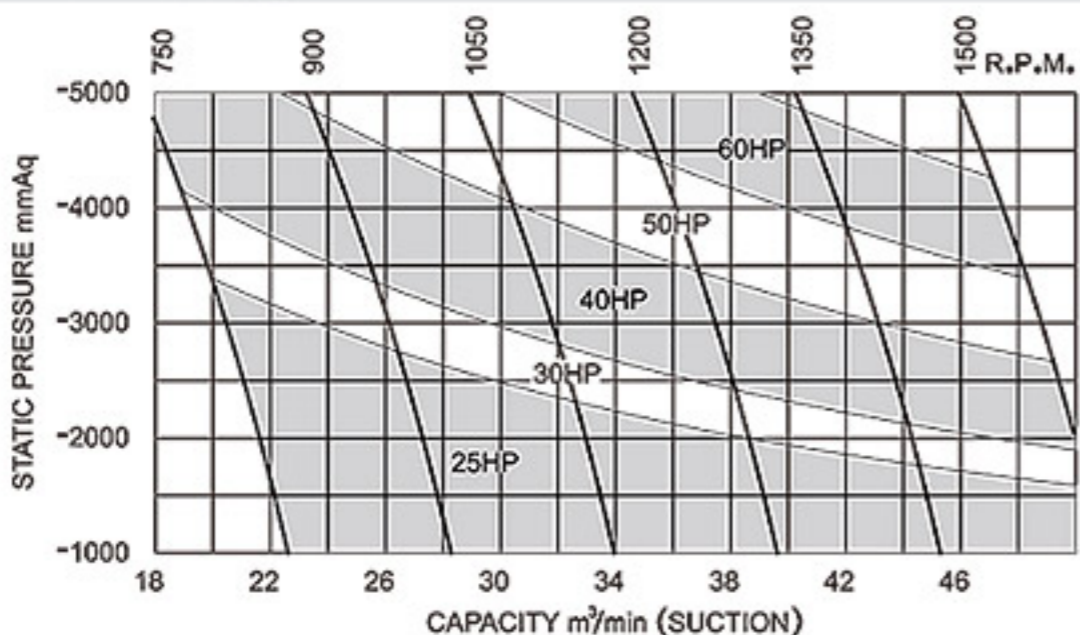


**LTV-150**

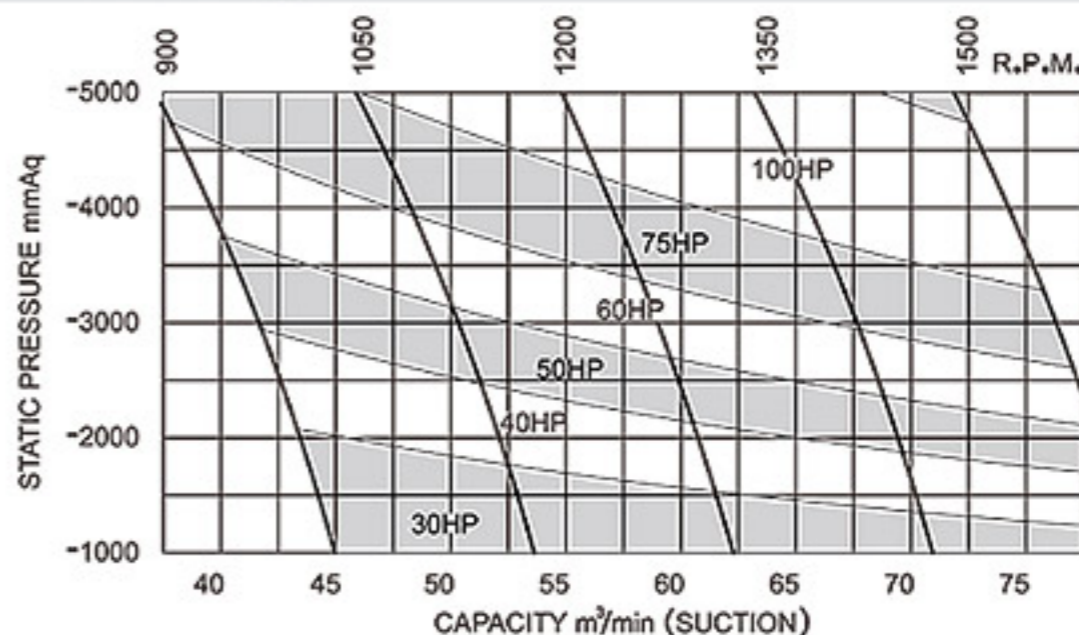


# Vacuum Performance Curve

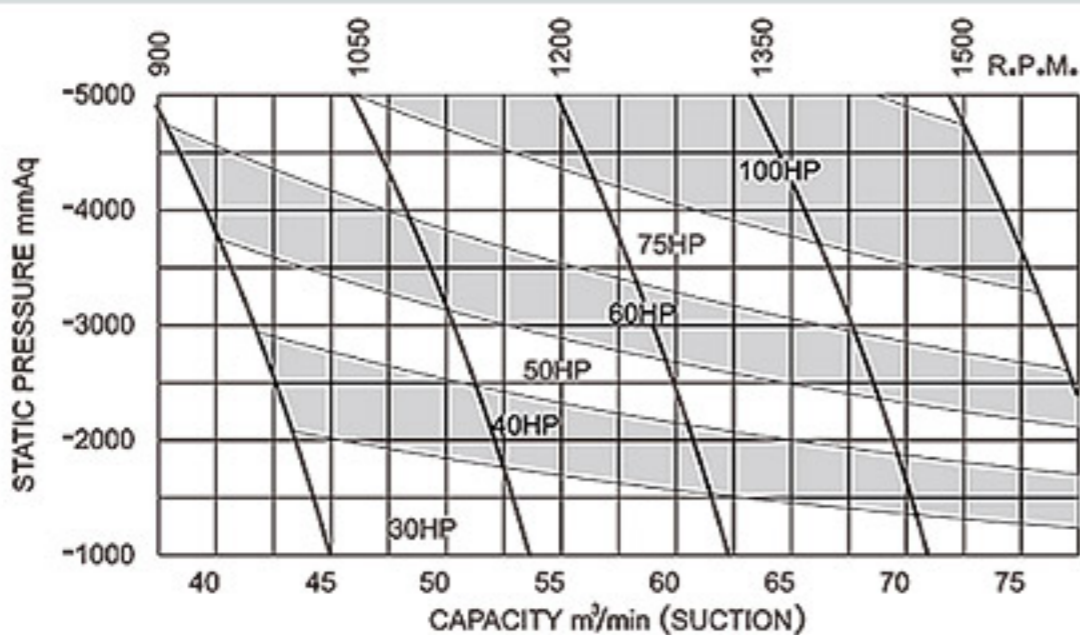
**LTV-200**



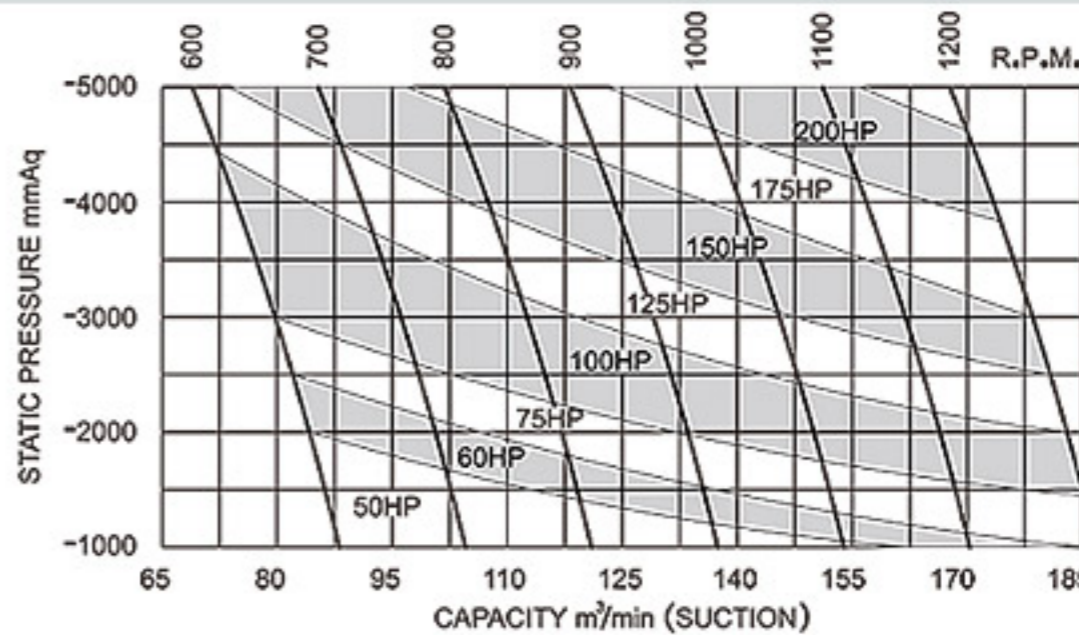
**LTV-200A**



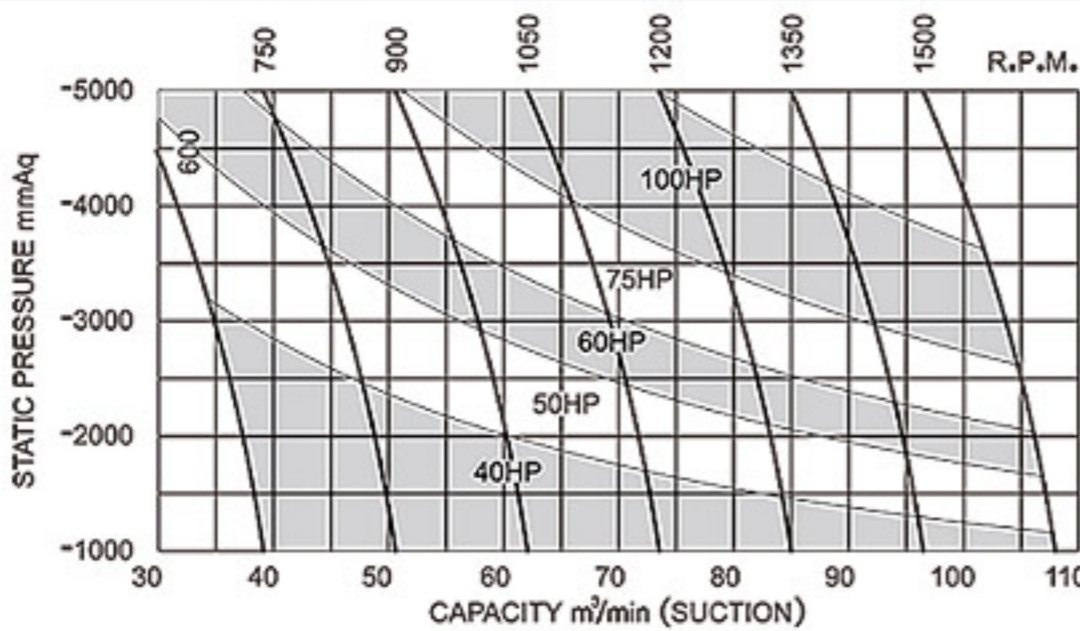
**LTV-250**



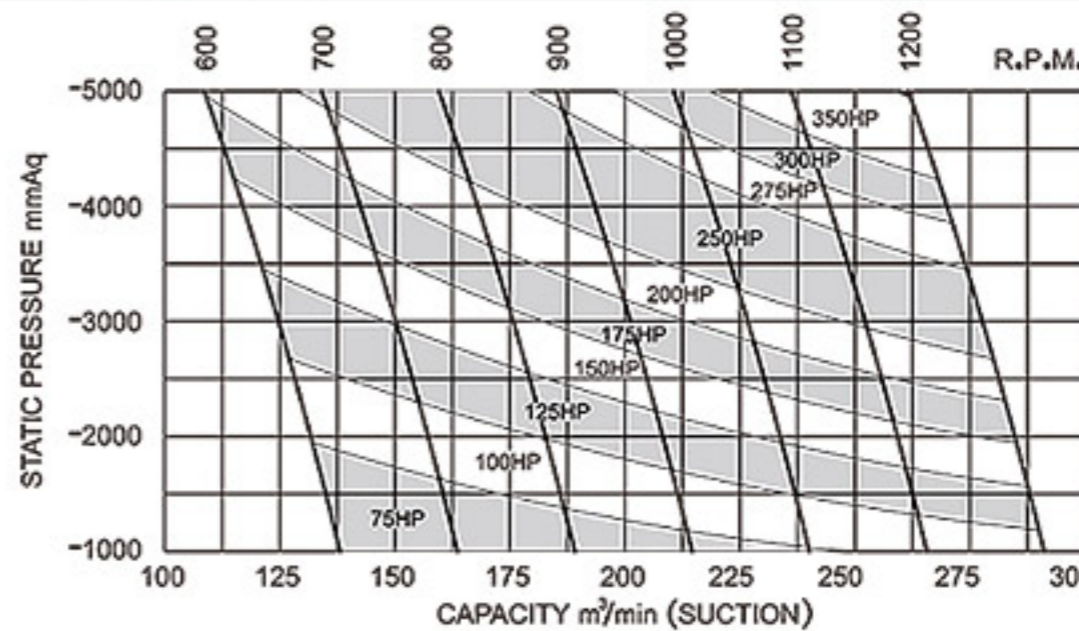
**LTV-300A**



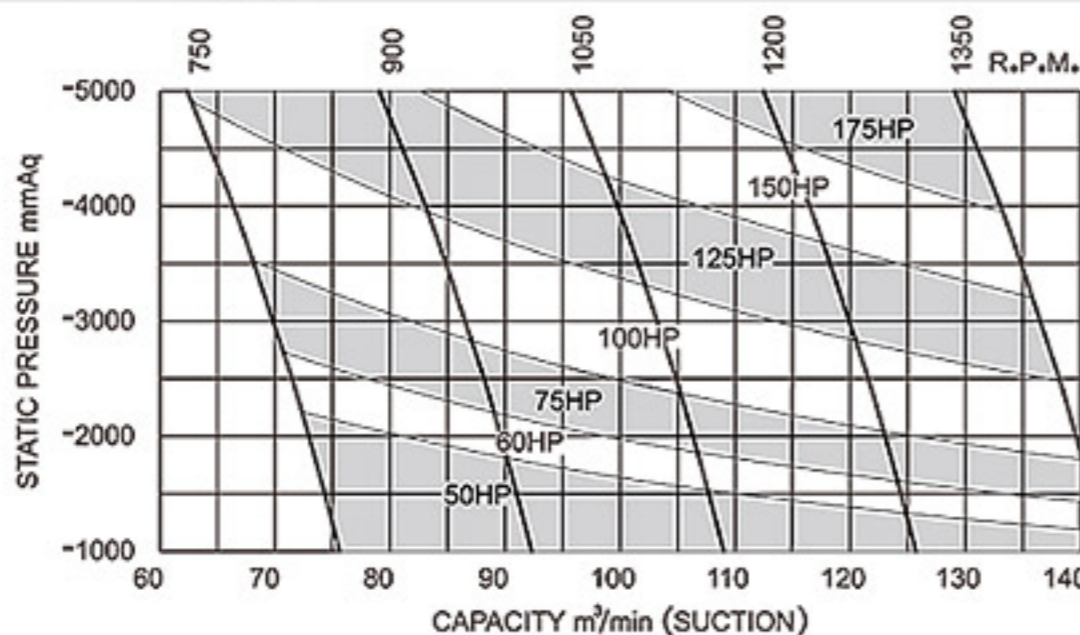
**LTV-250A**



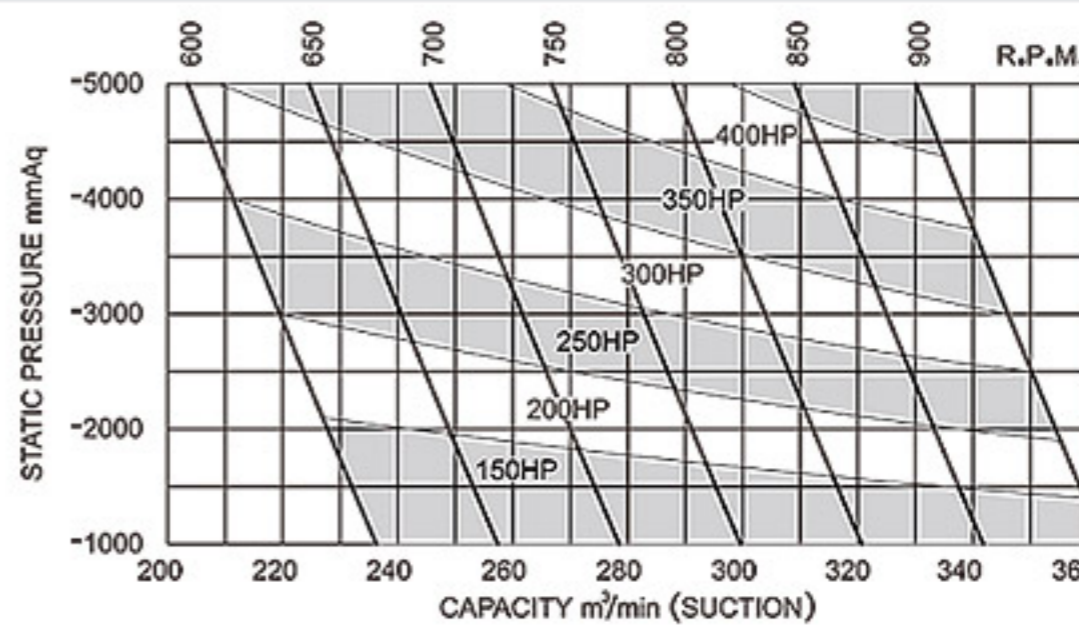
**LTV-350**



**LTV-300**

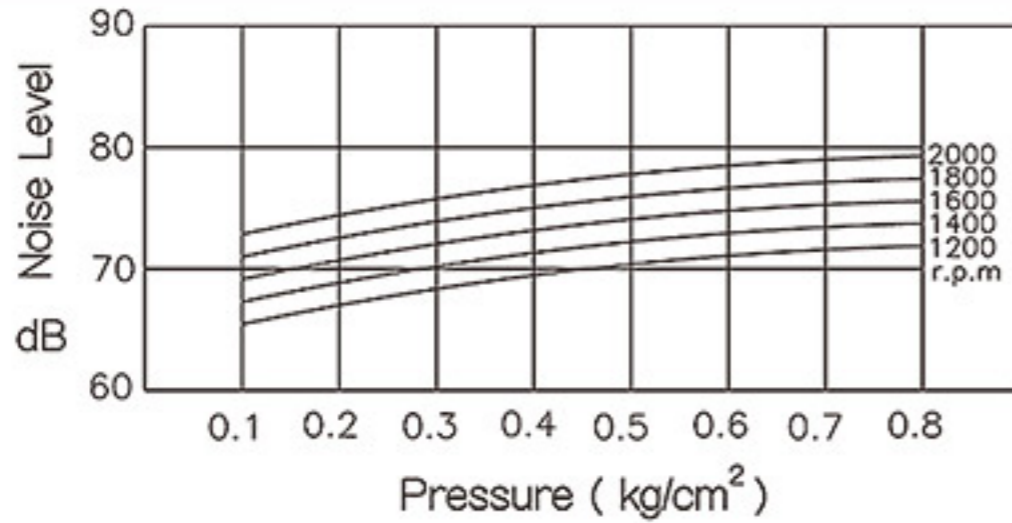


**LTV-400**

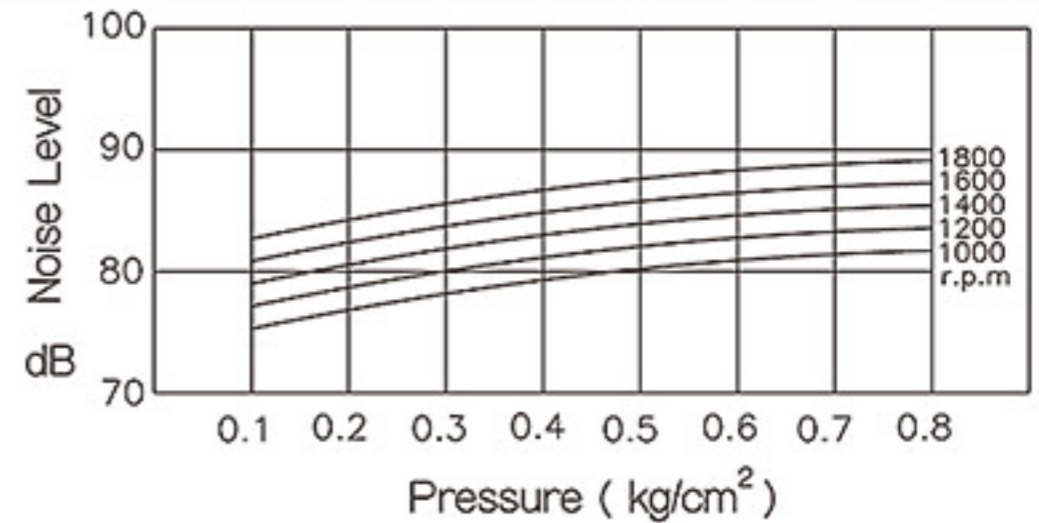


# Noise Performance Specifications

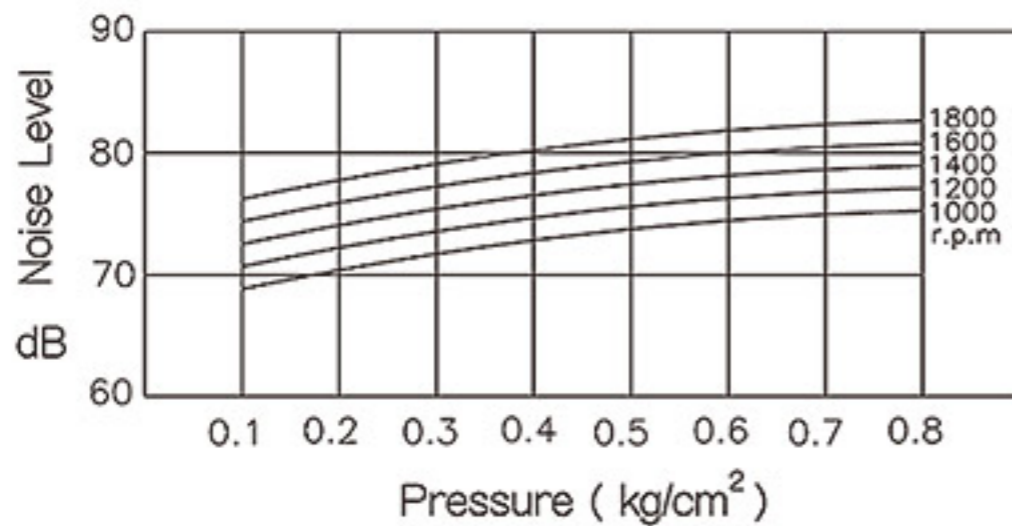
**LT / LTV-040**



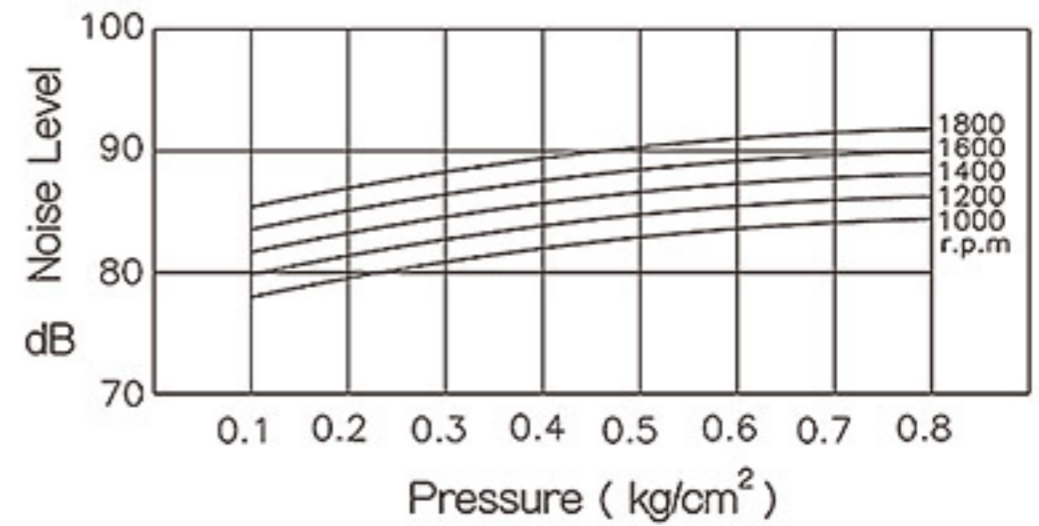
**LT / LTV-100**



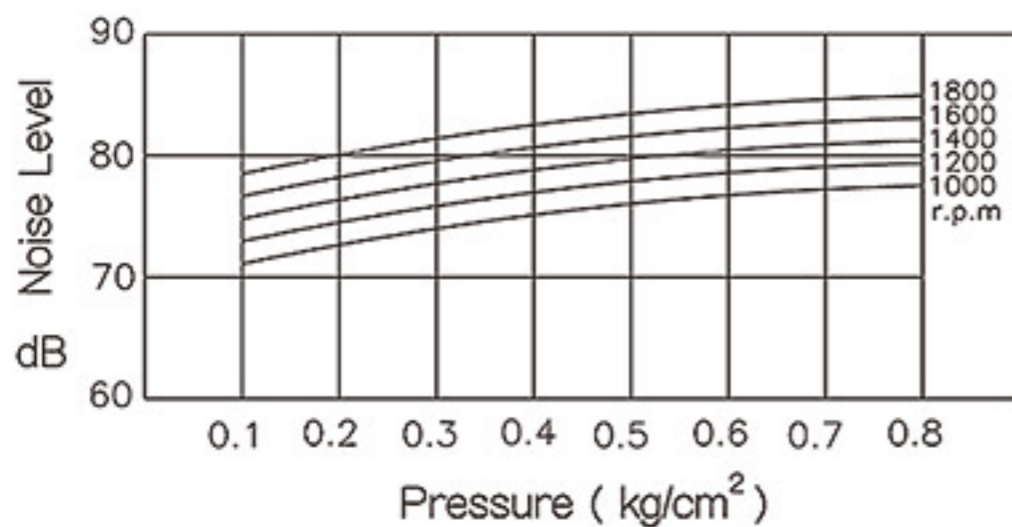
**LT / LTV-050**



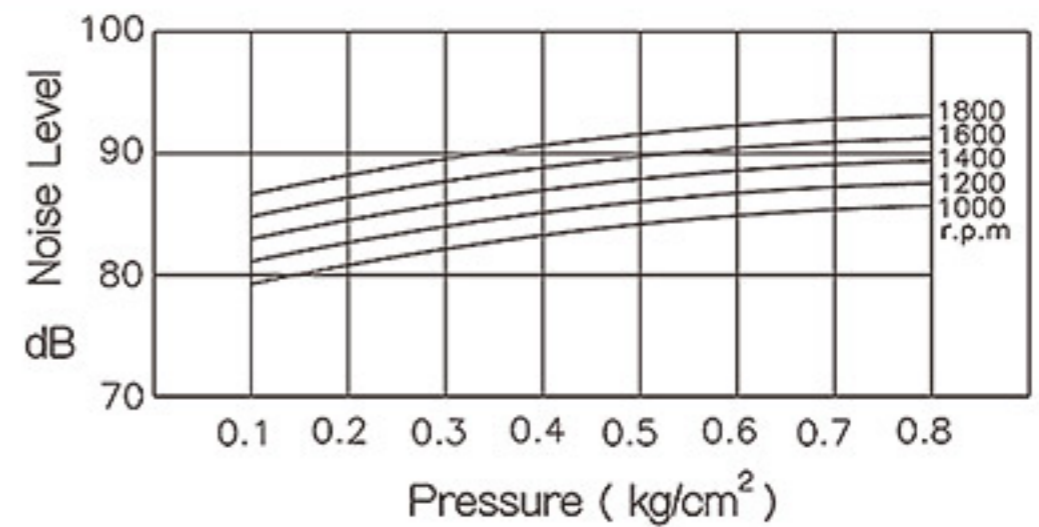
**LT / LTV-125S**



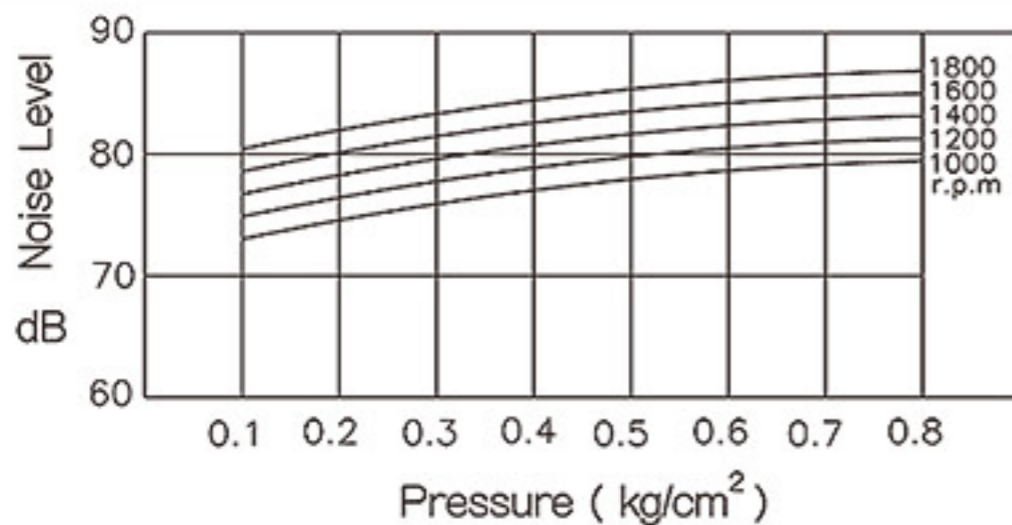
**LT / LTV-065**



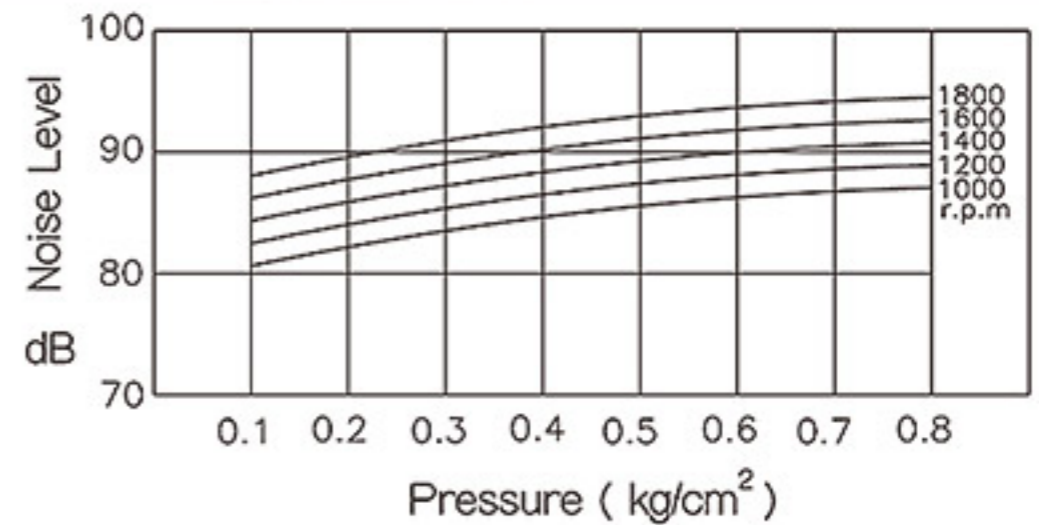
**LT / LTV-125**



**LT / LTV-080**



**LT / LTV-150**

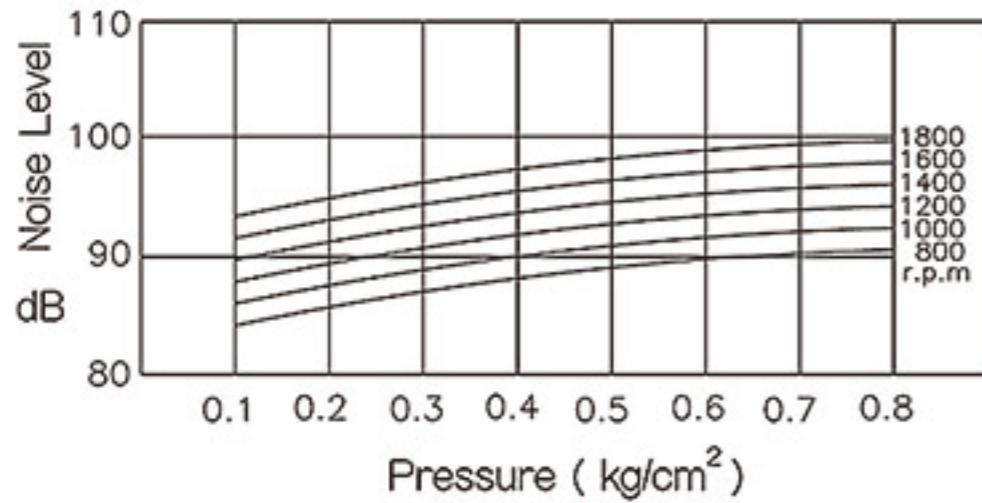


◆ | Noise level measured at distance 1 meter for the blower fitted with standard silenced

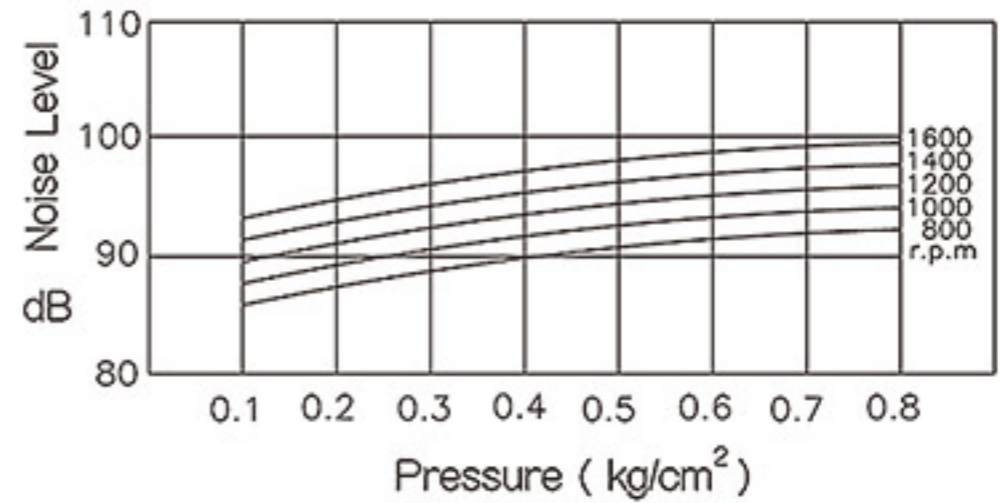
◆ | Noise level maybe different according to the extend pipe length and ambient condition

# Noise Performance Specifications

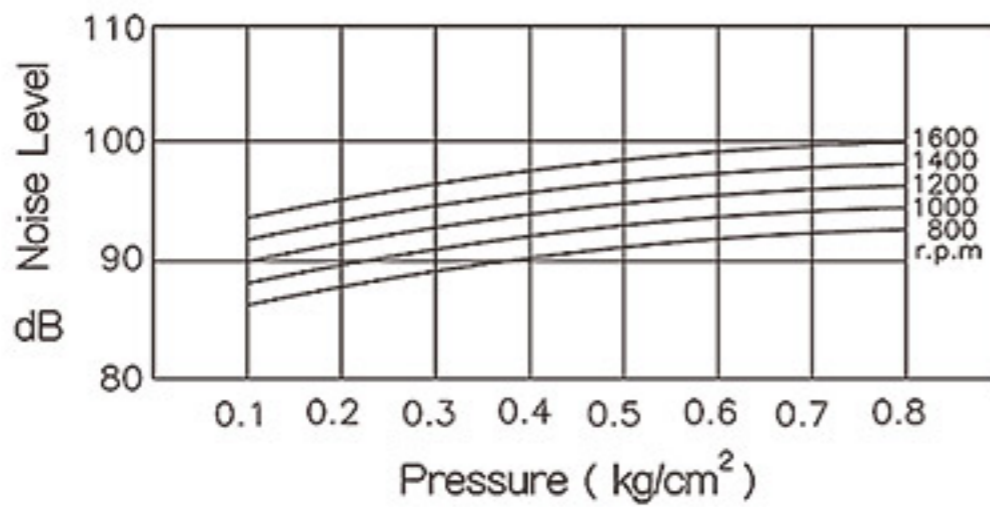
**LT / LTV-200**



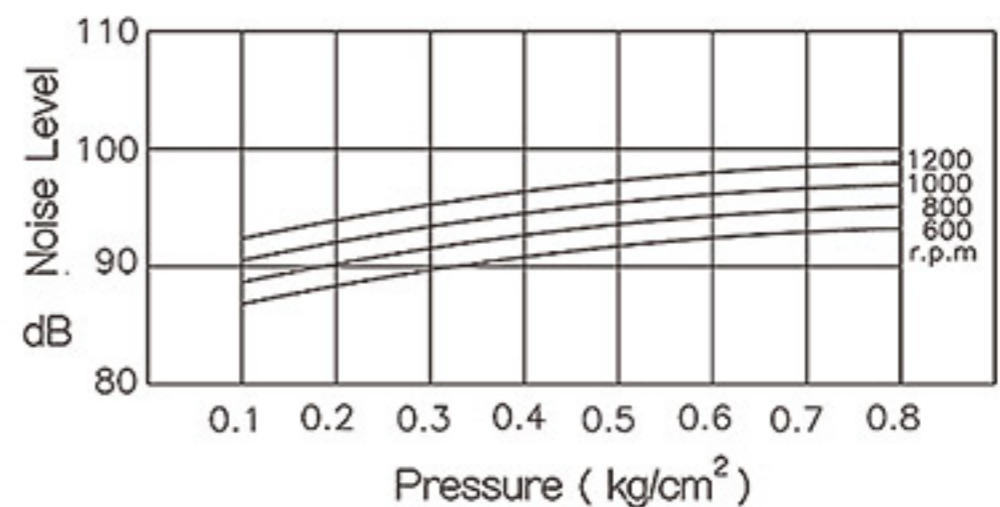
**LT / LTV-200A**



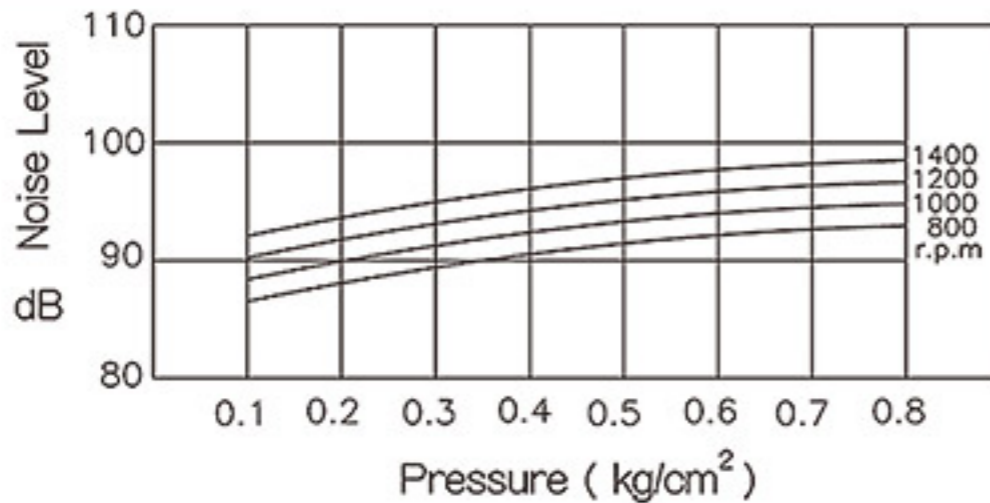
**LT / LTV-250**



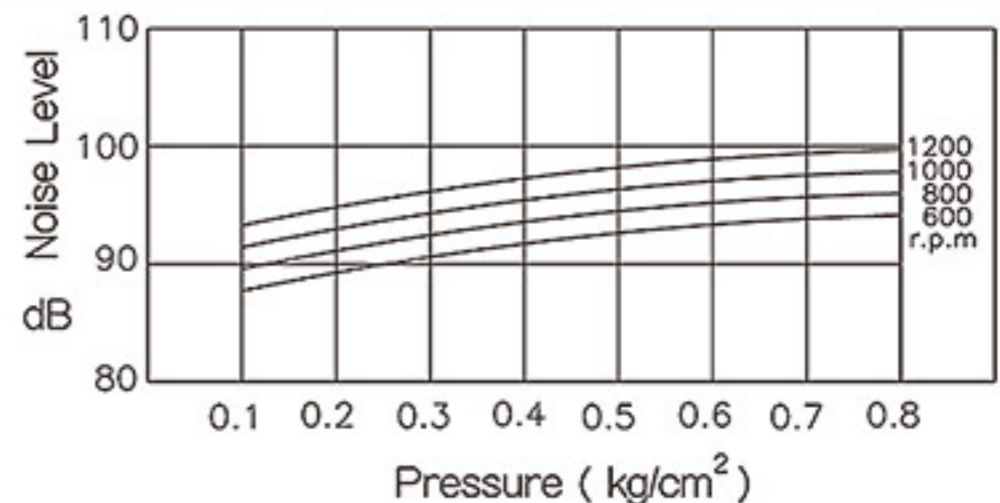
**LT / LTV-300A**



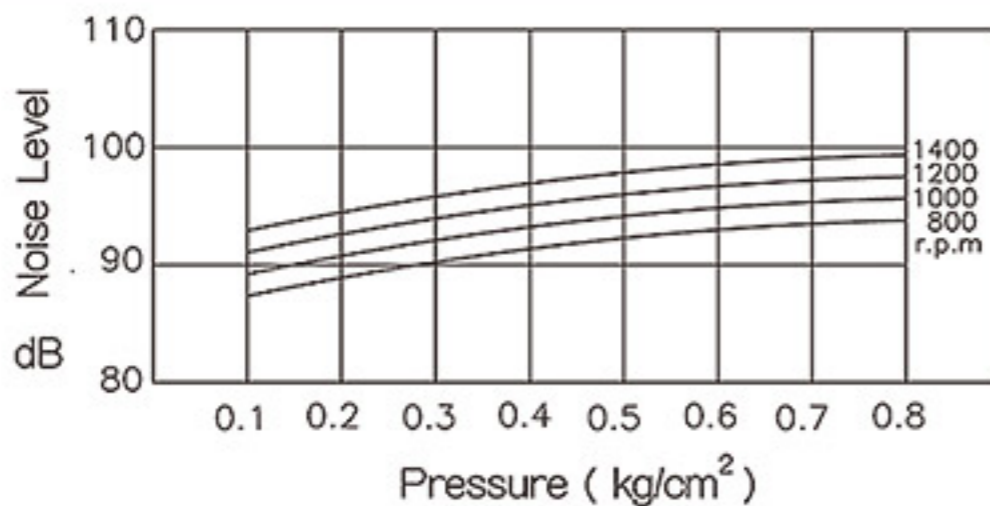
**LT / LTV-250A**



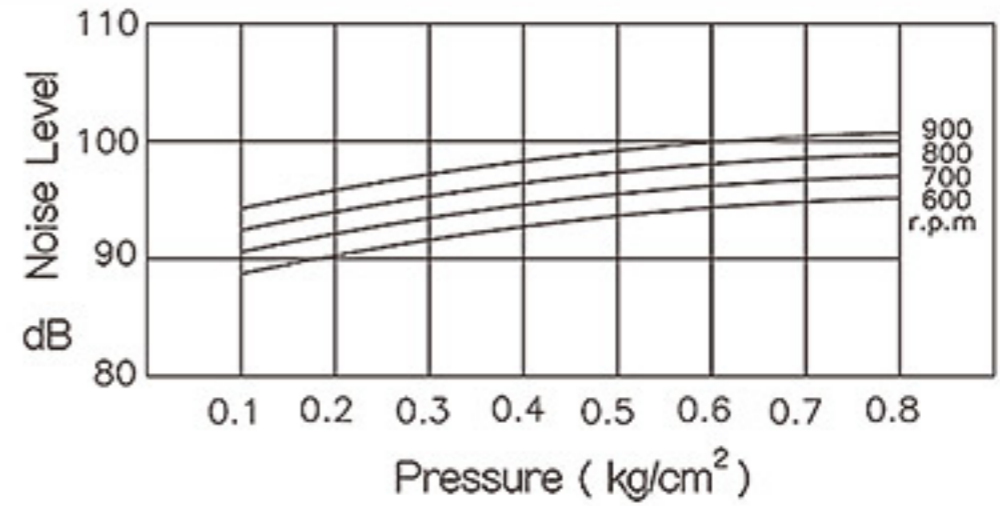
**LT / LTV-350**



**LT / LTV-300**



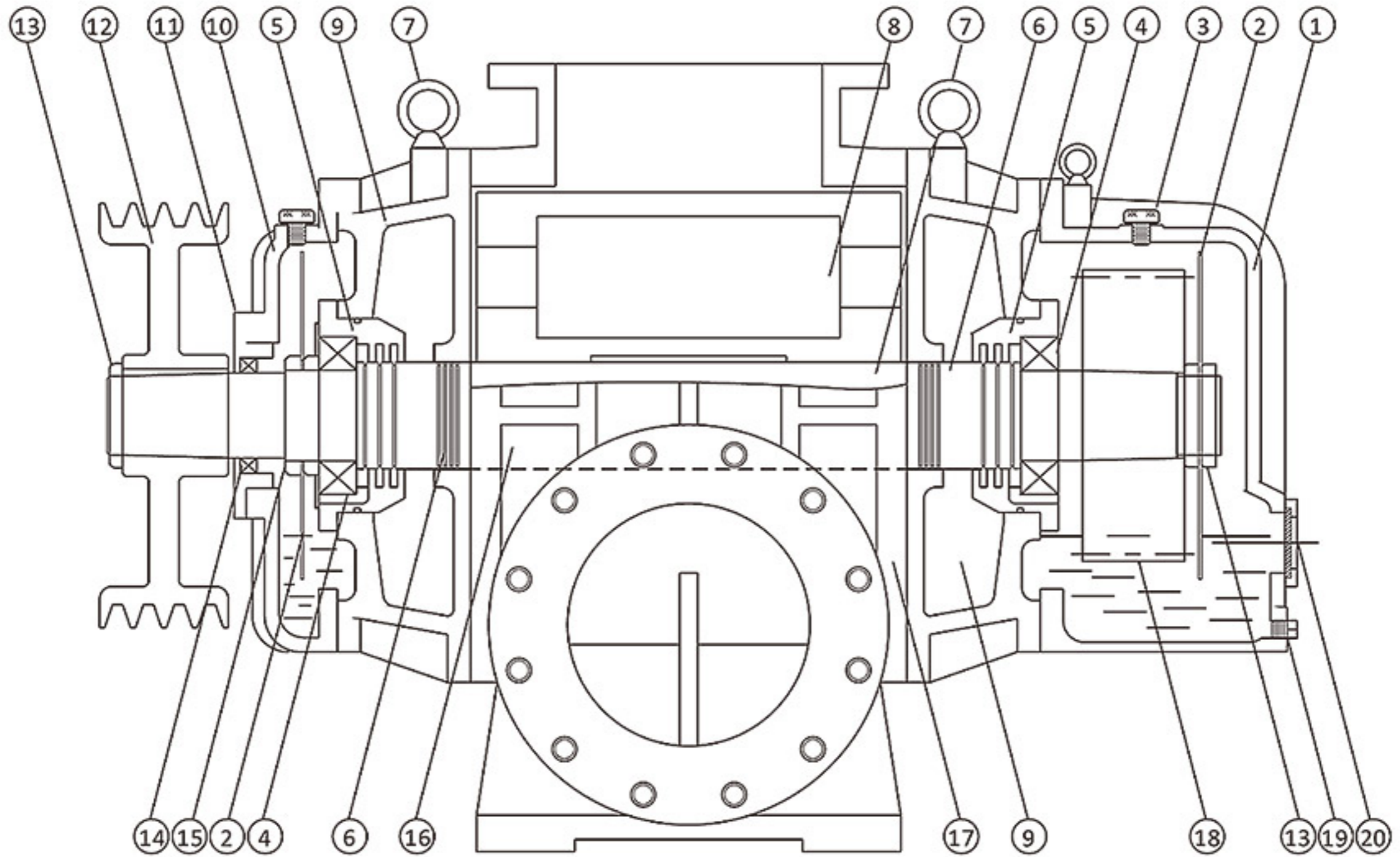
**LT / LTV-400**



◆ | Noise level measured at distance 1 meter for the blower fitted with standard silenced

◆ | Noise level maybe different according to the extend pipe length and ambient condition

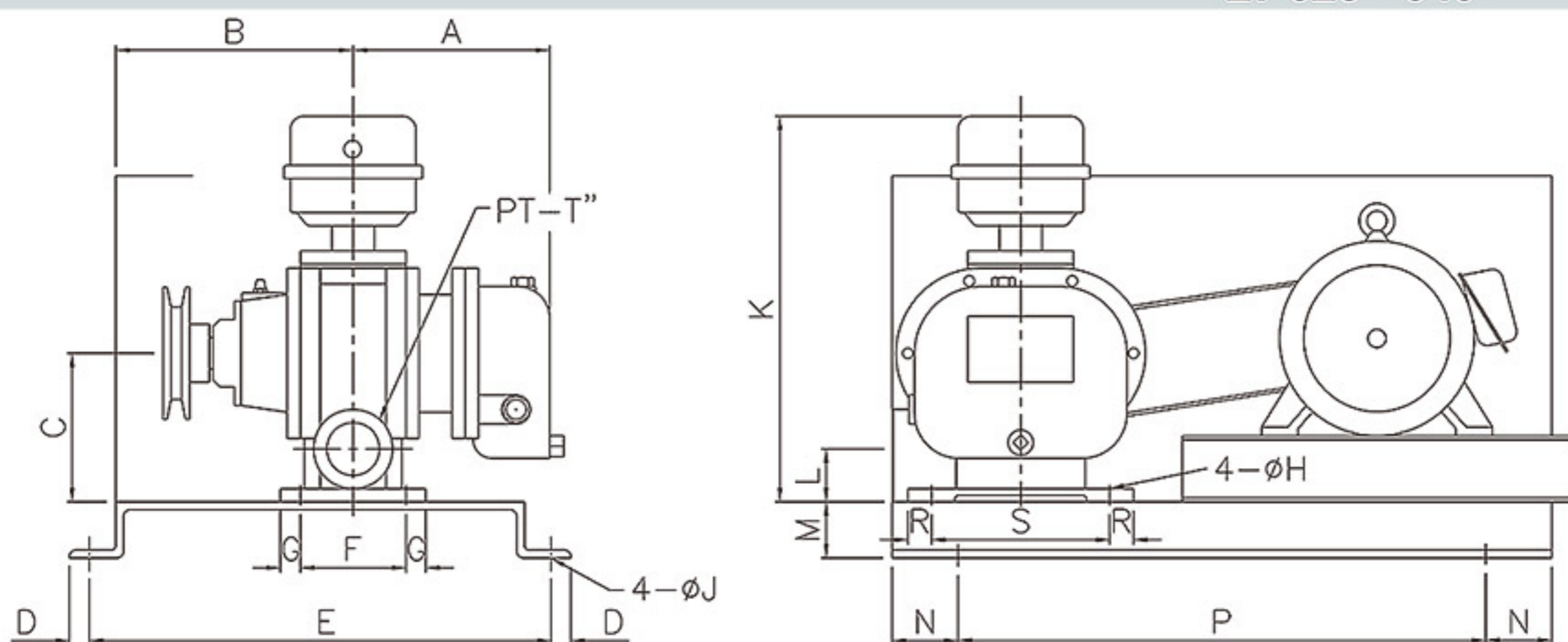
# Structure & Material



| NO. | NAME           | MATERIAL | NO. | NAME        | MATERIAL |
|-----|----------------|----------|-----|-------------|----------|
| 1.  | Gear case      | FC250    | 11. | Seal case   | FC250    |
| 2.  | Oil splash     | SS400    | 12. | Pulley      | FC250    |
| 3.  | Oil plug       | S45C     | 13. | Nut         | SS400    |
| 4.  | Bearing        | SUJ2     | 14. | Seal        | NBR      |
| 5.  | Bearing case   | FC250    | 15. | Nut         | SS400    |
| 6.  | Labyrinth seal | SS400    | 16. | Shaft       | SCM440   |
| 7.  | Eye bolt       | S45C     | 17. | Main casing | FC250    |
| 8.  | Rotor          | FC250    | 18. | Timing gear | SCM415   |
| 9.  | Side cover     | FC250    | 19. | Oil drain   | S45C     |
| 10. | Oil case       | FC250    | 20. | Oil gauge   | S45C     |

# Dimensions and Weights

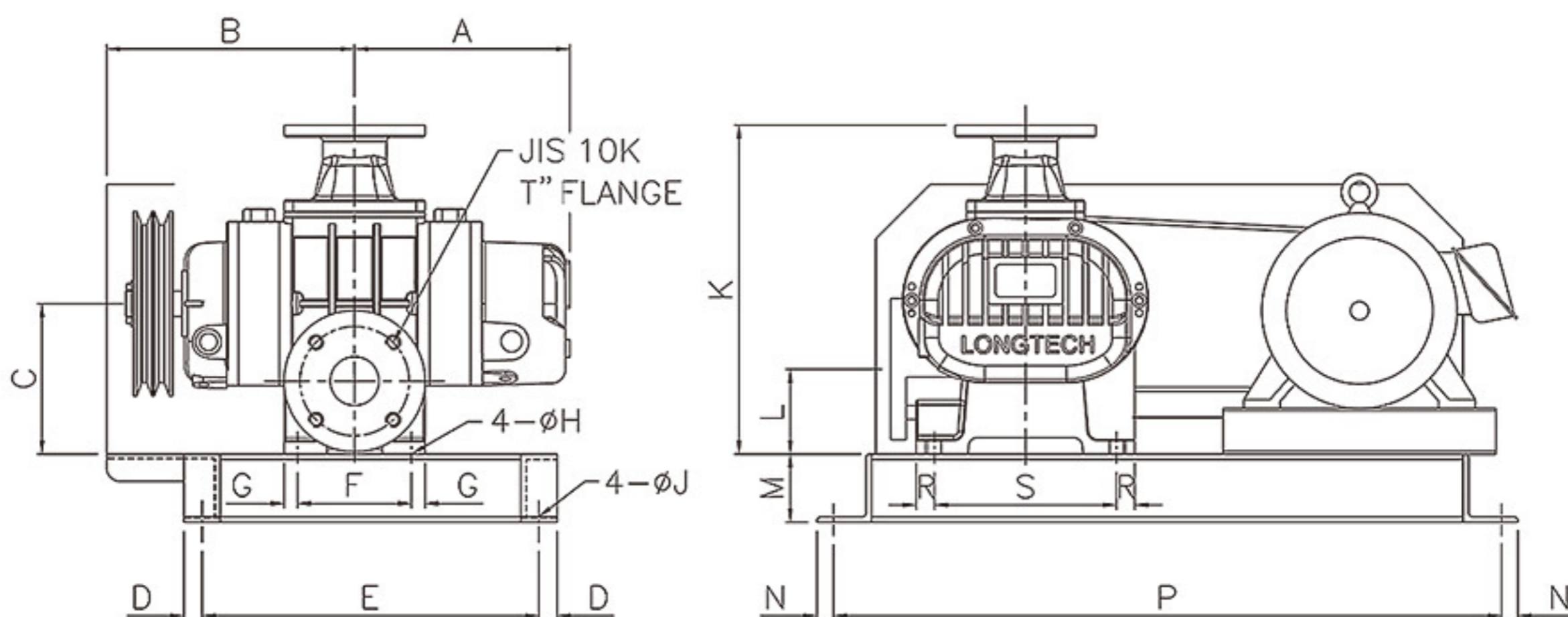
## LT-025 ~ 040



| MODEL  | A   | B   | C   | D  | E   | F  | G  | H  | J  | K   | L  | M  | N  | P   | R  | S   | T   | Wt.(Kg) |
|--------|-----|-----|-----|----|-----|----|----|----|----|-----|----|----|----|-----|----|-----|-----|---------|
| LT-025 | 135 | 145 | 120 | 15 | 350 | 54 | 13 | 10 | 12 | 340 | 40 | 43 | 50 | 400 | 15 | 135 | 1   | 20      |
| LT-040 | 162 | 185 | 120 | 15 | 350 | 80 | 15 | 10 | 12 | 340 | 40 | 43 | 50 | 400 | 15 | 135 | 1.5 | 25      |

UNITS : mm  
 ◆ Wt.(kg): Main body weight

## LT-050 ~ 065

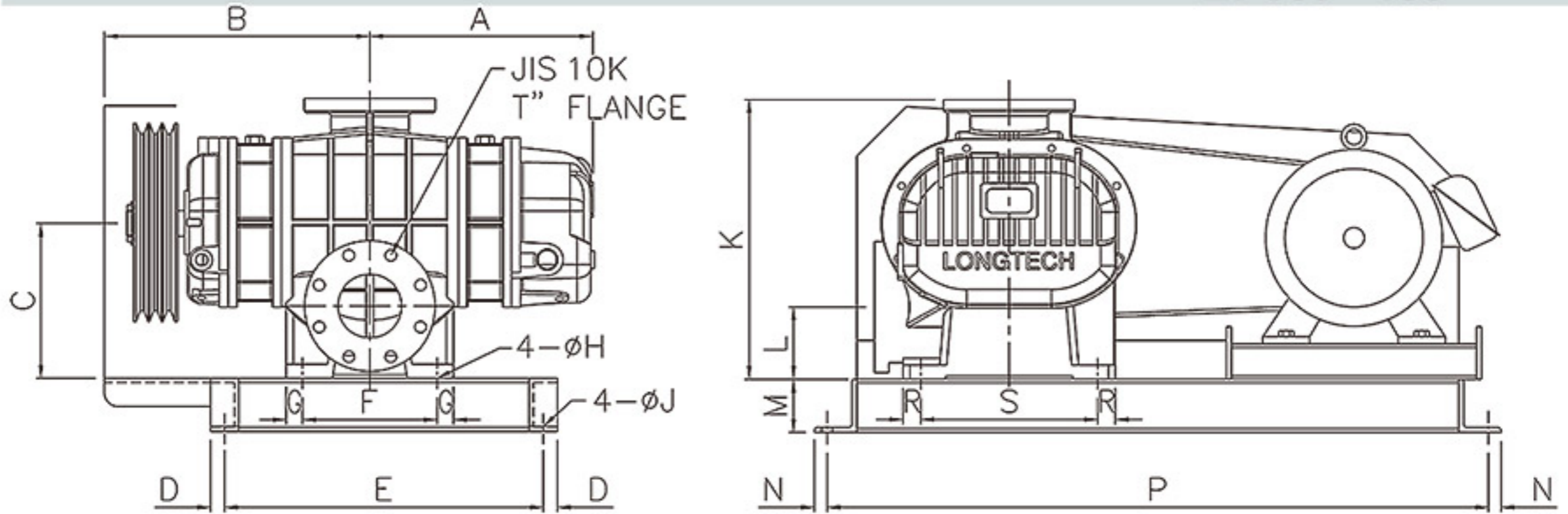


| MODEL  | A   | B   | C   | D  | E   | F   | G  | H  | J  | K   | L  | M  | N  | P   | R  | S   | T   | Wt.(Kg) |
|--------|-----|-----|-----|----|-----|-----|----|----|----|-----|----|----|----|-----|----|-----|-----|---------|
| LT-050 | 240 | 270 | 168 | 20 | 370 | 125 | 15 | 15 | 15 | 356 | 90 | 75 | 18 | 734 | 15 | 200 | 2   | 76      |
| LT-065 | 280 | 290 | 173 | 20 | 370 | 210 | 15 | 15 | 15 | 356 | 95 | 75 | 18 | 734 | 15 | 200 | 2.5 | 94      |

UNITS : mm  
 ◆ Wt.(kg): Main body weight

# Dimensions and Weights

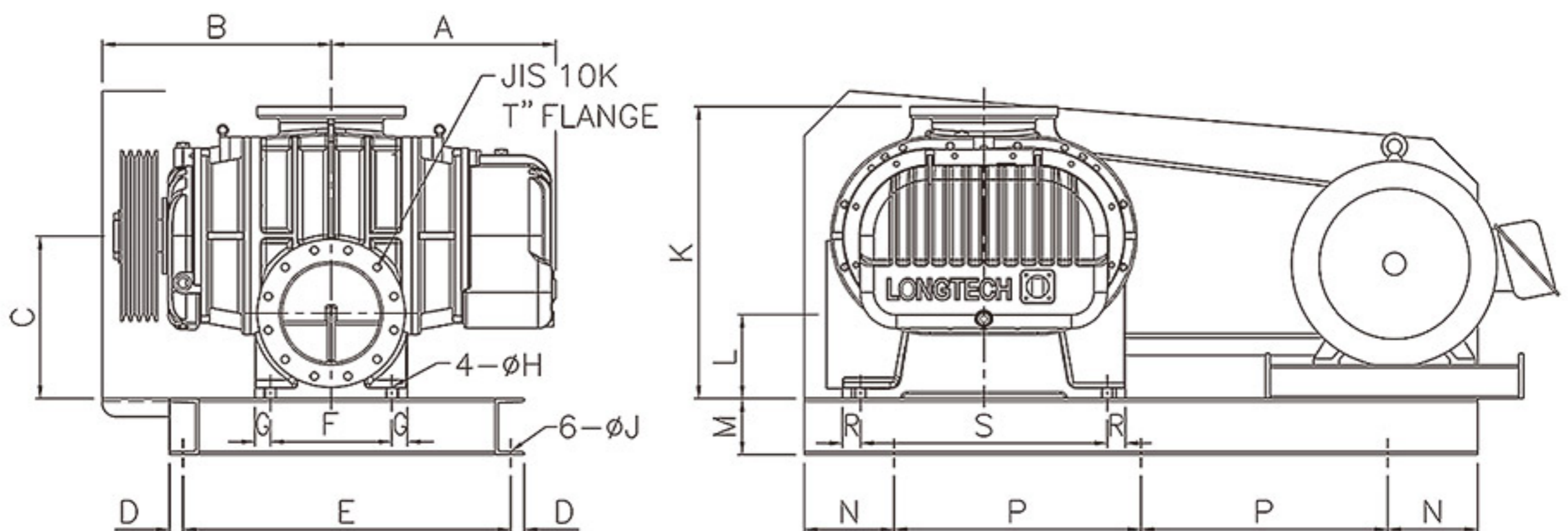
## LT-080 ~ 150



| MODEL   | A   | B   | C   | D  | E   | F   | G  | H  | J  | K   | L   | M   | N  | P    | R  | S   | T | Wt.(Kg) |
|---------|-----|-----|-----|----|-----|-----|----|----|----|-----|-----|-----|----|------|----|-----|---|---------|
| LT-080  | 315 | 375 | 220 | 20 | 450 | 190 | 25 | 19 | 15 | 395 | 102 | 75  | 18 | 934  | 25 | 250 | 3 | 167     |
| LT-100  | 365 | 425 | 220 | 20 | 450 | 290 | 25 | 19 | 15 | 395 | 115 | 75  | 18 | 934  | 25 | 250 | 4 | 193     |
| LT-125S | 405 | 445 | 265 | 25 | 605 | 230 | 25 | 19 | 19 | 475 | 145 | 100 | 20 | 1190 | 25 | 350 | 5 | 319     |
| LT-125  | 445 | 485 | 300 | 25 | 605 | 320 | 25 | 19 | 19 | 515 | 155 | 100 | 20 | 1190 | 25 | 350 | 5 | 353     |
| LT-150  | 500 | 540 | 300 | 25 | 605 | 425 | 25 | 19 | 19 | 515 | 155 | 100 | 20 | 1190 | 25 | 350 | 6 | 418     |

UNITS : mm  
 ◆ Wt.(kg): Main body weight

## LT-200 ~ 300



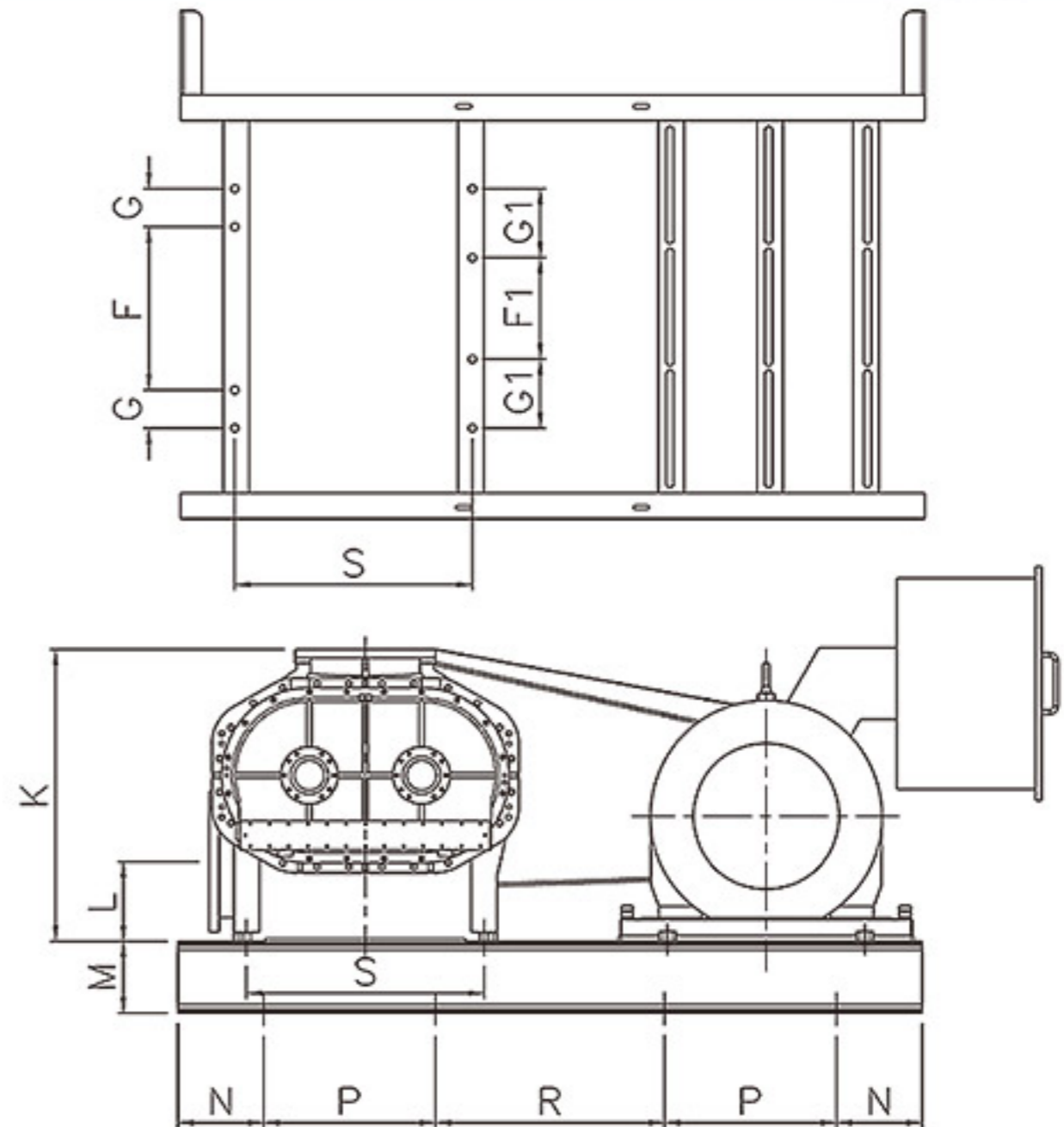
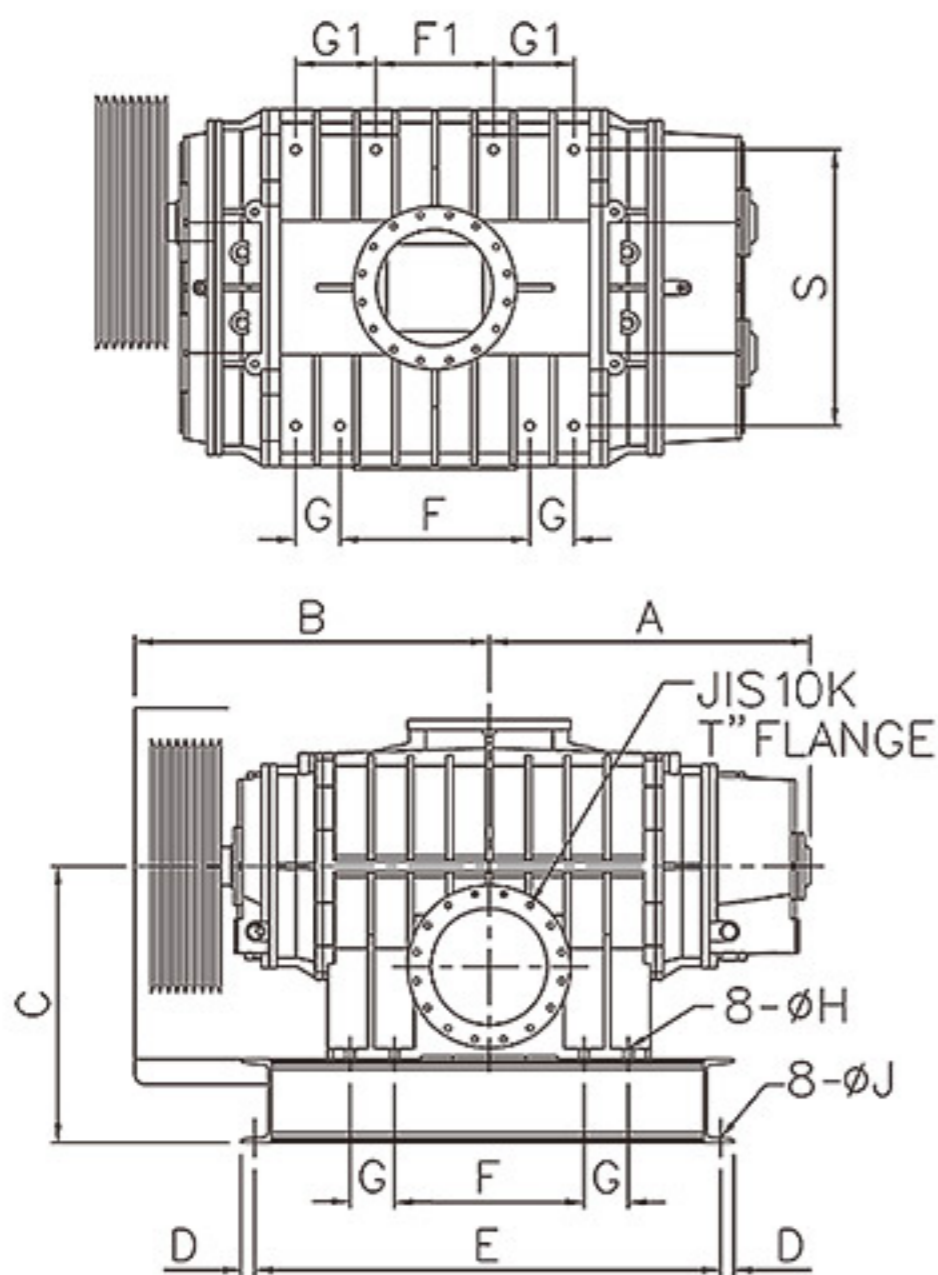
| MODEL   | A   | B   | C   | D  | E    | F   | G  | H  | J  | K   | L   | M   | N   | P   | R  | S   | T  | Wt.(Kg) |
|---------|-----|-----|-----|----|------|-----|----|----|----|-----|-----|-----|-----|-----|----|-----|----|---------|
| LT-200  | 515 | 495 | 363 | 30 | 730  | 270 | 35 | 23 | 19 | 650 | 190 | 125 | 200 | 550 | 40 | 550 | 8  | 720     |
| LT-250  | 605 | 595 | 388 | 30 | 730  | 460 | 35 | 23 | 19 | 675 | 225 | 125 | 200 | 550 | 40 | 550 | 10 | 913     |
| LT-250A | 778 | 678 | 500 | 40 | 850  | 650 | 65 | 27 | 24 | 875 | 250 | 200 | 200 | 800 | 55 | 620 | 10 | 1665    |
| LT-300  | 900 | 805 | 500 | 40 | 1120 | 650 | 65 | 27 | 24 | 875 | 250 | 200 | 200 | 800 | 55 | 620 | 12 | 2010    |
| LT-300A | 954 | 840 | 505 | 40 | 1300 | 660 | 60 | 27 | 24 | 930 | 243 | 200 | 200 | 800 | 60 | 680 | 12 | 3200    |

UNITS : mm  
 ◆ Wt.(kg): Main body weight



# Dimensions and Weights

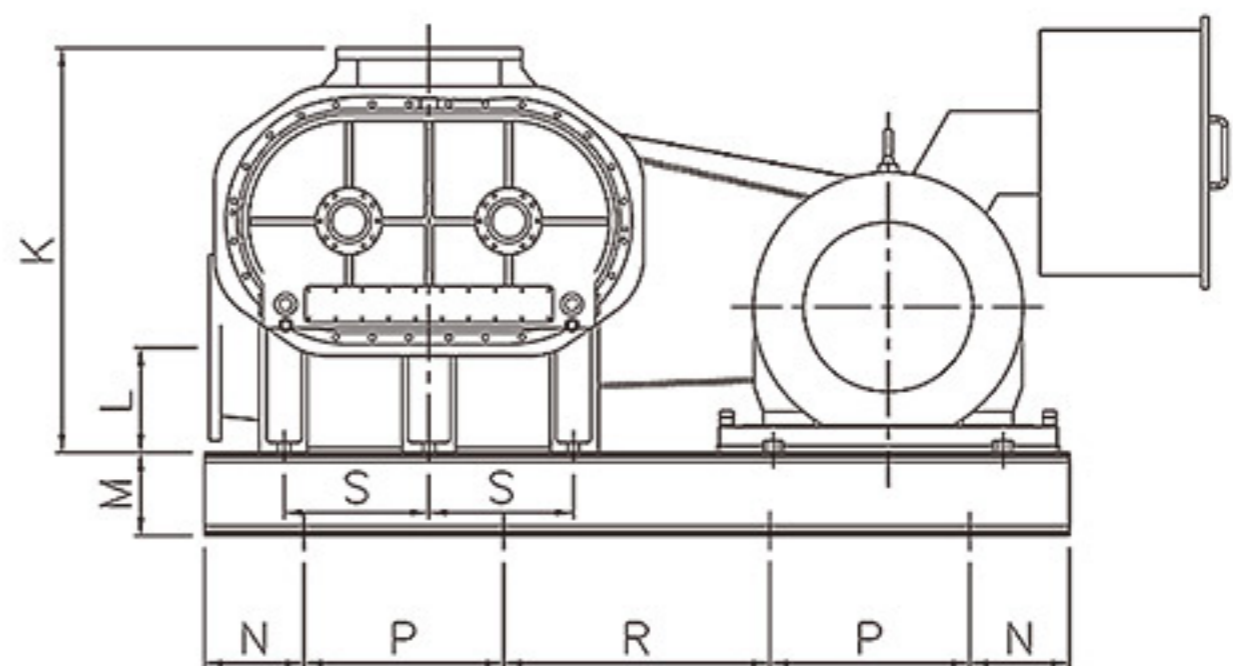
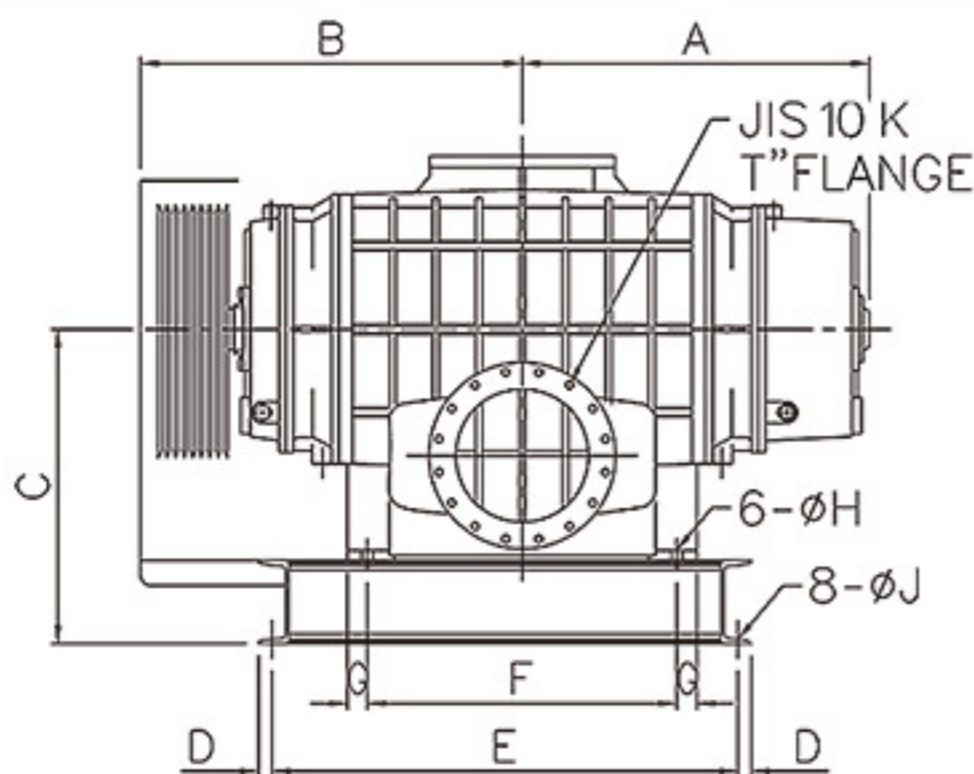
## LT-350



| MODEL  | A   | B    | C   | D  | E    | F   | F1  | G   | G1 | H   | J  | K    | L   | M   | N   | P   | R   | S   | T  | Wt.(Kg) |
|--------|-----|------|-----|----|------|-----|-----|-----|----|-----|----|------|-----|-----|-----|-----|-----|-----|----|---------|
| LT-350 | 965 | 1065 | 830 | 40 | 1400 | 570 | 354 | 133 | 35 | 241 | 24 | 1020 | 278 | 250 | 300 | 600 | 800 | 830 | 14 | 4100    |

UNITS : mm  
 ◆ Wt.(kg): Main body weight

## LT-400



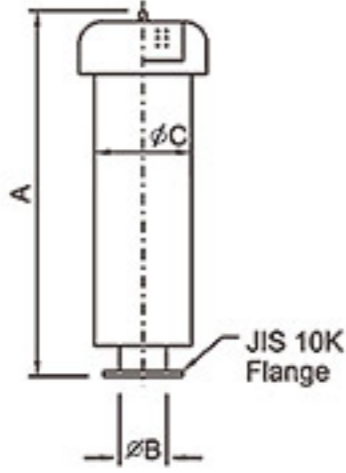
| MODEL  | A    | B    | C   | D  | E    | F   | G  | H  | J  | K    | L   | M   | N   | P   | R   | S   | T  | Wt.(Kg) |
|--------|------|------|-----|----|------|-----|----|----|----|------|-----|-----|-----|-----|-----|-----|----|---------|
| LT-400 | 1043 | 1147 | 945 | 40 | 1400 | 930 | 60 | 35 | 24 | 1215 | 315 | 250 | 300 | 600 | 800 | 435 | 16 | 4650    |

UNITS : mm  
 ◆ Wt.(kg): Main body weight

# Accessories

## OUTDOOR SILENCER

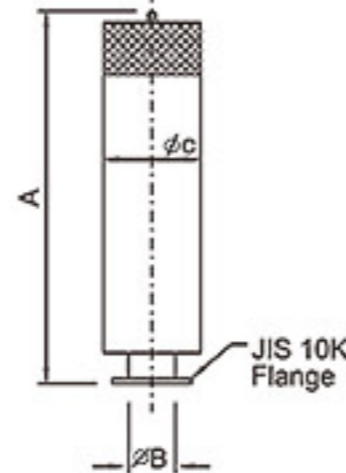
UNITS : mm



| MODEL | A    | B   | C   | SUITABILITY |
|-------|------|-----|-----|-------------|
| O-050 | 680  | 50  | 165 | LT-050      |
| O-065 | 680  | 65  | 165 | LT-065      |
| O-080 | 800  | 80  | 216 | LT-080      |
| O-100 | 820  | 100 | 267 | LT-100      |
| O-125 | 1300 | 125 | 350 | LT-125      |
| O-150 | 1300 | 150 | 350 | LT-150      |
| O-200 | 2030 | 200 | 525 | LT-200      |
| O-250 | 2030 | 250 | 600 | LT-250      |
| O-300 | 2240 | 300 | 700 | LT-300      |
| O-350 | 2570 | 350 | 800 | LT-350      |
| O-400 | 2570 | 400 | 800 | LT-400      |

## INDOOR SILENCER

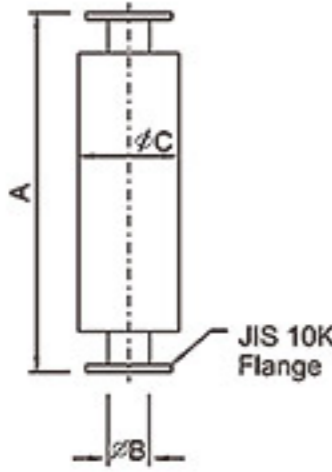
UNITS : mm



| MODEL | A    | B   | C   | SUITABILITY |
|-------|------|-----|-----|-------------|
| I-050 | 680  | 50  | 165 | LT-050      |
| I-065 | 680  | 65  | 165 | LT-065      |
| I-080 | 800  | 80  | 216 | LT-080      |
| I-100 | 820  | 100 | 267 | LT-100      |
| I-125 | 1300 | 125 | 350 | LT-125      |
| I-150 | 1300 | 150 | 350 | LT-150      |
| I-200 | 2030 | 200 | 525 | LT-200      |
| I-250 | 2030 | 250 | 600 | LT-250      |
| I-300 | 2240 | 300 | 700 | LT-300      |
| I-350 | 2570 | 350 | 800 | LT-350      |
| I-400 | 2570 | 400 | 800 | LT-400      |

## DISCHARGE SILENCER

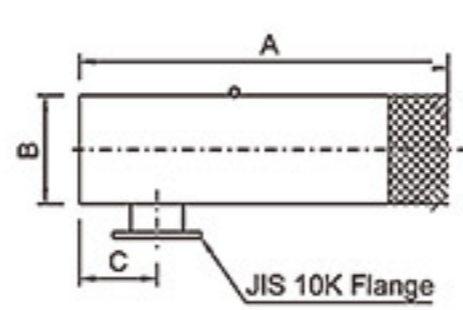
UNITS : mm



| MODEL | A    | B   | C   | SUITABILITY |
|-------|------|-----|-----|-------------|
| D-050 | 660  | 50  | 165 | LT-050      |
| D-065 | 660  | 65  | 165 | LT-065      |
| D-080 | 760  | 80  | 216 | LT-080      |
| D-100 | 760  | 100 | 267 | LT-100      |
| D-125 | 1190 | 125 | 350 | LT-125      |
| D-150 | 1190 | 150 | 350 | LT-150      |
| D-200 | 1735 | 200 | 525 | LT-200      |
| D-250 | 1735 | 250 | 600 | LT-250      |
| D-300 | 1735 | 300 | 700 | LT-300      |
| D-350 | 2230 | 350 | 800 | LT-350      |
| D-400 | 2230 | 400 | 800 | LT-400      |

## HORIZONTAL SILENCER

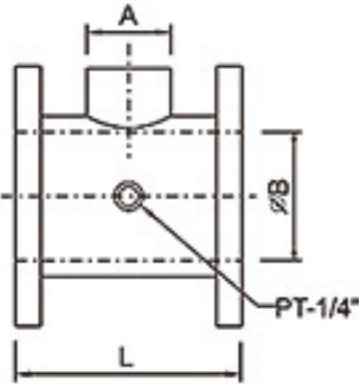
UNITS : mm



| MODEL  | A    | B   | C   | SUITABILITY |
|--------|------|-----|-----|-------------|
| RO-050 | 580  | 165 | 120 | LT-050      |
| RO-065 | 580  | 165 | 120 | LT-065      |
| RO-080 | 700  | 216 | 150 | LT-080      |
| RO-100 | 700  | 267 | 150 | LT-100      |
| RO-125 | 1200 | 350 | 150 | LT-125      |
| RO-150 | 1200 | 350 | 150 | LT-150      |
| RO-200 | 1880 | 525 | 400 | LT-200      |
| RO-250 | 1880 | 600 | 400 | LT-250      |
| RO-300 | 2090 | 700 | 400 | LT-300      |
| RO-350 | 2420 | 800 | 400 | LT-350      |
| RO-400 | 2420 | 800 | 400 | LT-400      |

## "T" JOINT

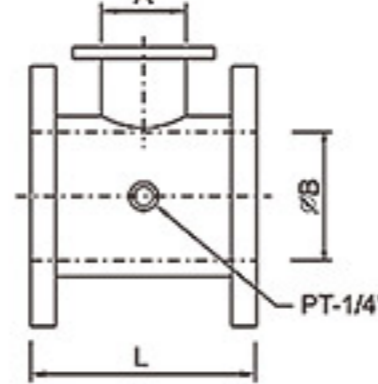
UNITS : mm



| MODEL | A  | B   | C   | SUITABILITY |
|-------|----|-----|-----|-------------|
| T-050 | 40 | 50  | 150 | LT-050      |
| T-065 | 40 | 65  | 150 | LT-065      |
| T-080 | 40 | 80  | 165 | LT-080      |
| T-100 | 40 | 100 | 165 | LT-100      |
| T-125 | 50 | 125 | 205 | LT-125      |
| T-150 | 50 | 150 | 210 | LT-150      |
| T-200 | 50 | 200 | 265 | LT-200      |

## "T" JOINT

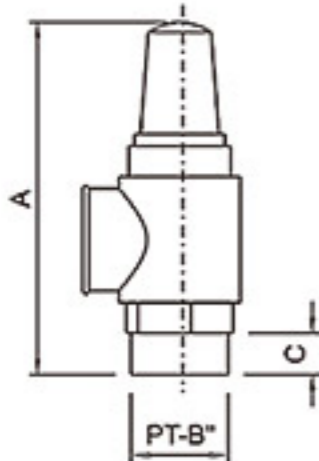
UNITS : mm



| MODEL | A   | B   | L   | SUITABILITY |
|-------|-----|-----|-----|-------------|
| T-250 | 80  | 250 | 295 | LT-250      |
| T-300 | 80  | 300 | 350 | LT-300      |
| T-350 | 125 | 350 | 400 | LT-350      |
| T-400 | 125 | 400 | 500 | LT-400      |

## RELIEF VALVE

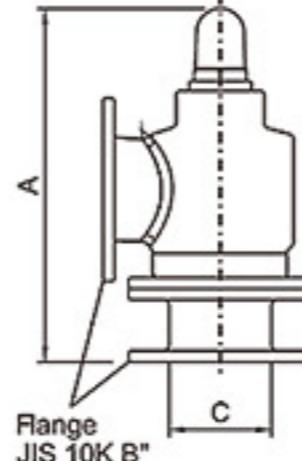
UNITS : mm



| MODEL | A   | B    | C  | SUITABILITY |
|-------|-----|------|----|-------------|
| R-038 | 132 | 1.5" | 26 | LT-050~100  |
| R-050 | 150 | 2"   | 28 | LT-125~200  |

## RELIEF VALVE

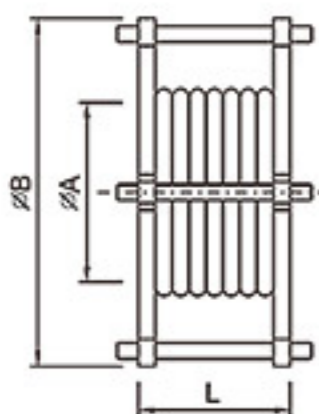
UNITS : mm



| MODEL | A   | B  | C   | SUITABILITY |
|-------|-----|----|-----|-------------|
| R-080 | 485 | 3" | 80  | LT-250~300  |
| R-125 | 485 | 5" | 125 | LT-350~400  |

## FLEXIBLE JOINT

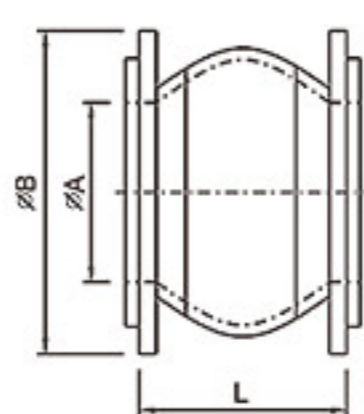
UNITS : mm



| MODEL  | A   | B   | L   | SUITABILITY |
|--------|-----|-----|-----|-------------|
| JF-050 | 50  | 155 | 150 | LT-050      |
| JF-065 | 65  | 175 | 150 | LT-065      |
| JF-080 | 80  | 185 | 150 | LT-080      |
| JF-100 | 100 | 210 | 150 | LT-100      |
| JF-125 | 125 | 250 | 150 | LT-125      |
| JF-150 | 150 | 280 | 150 | LT-150      |
| JF-200 | 200 | 330 | 200 | LT-200      |
| JF-250 | 250 | 400 | 200 | LT-250      |
| JF-300 | 300 | 445 | 200 | LT-300      |
| JF-350 | 350 | 490 | 230 | LT-350      |
| JF-400 | 400 | 560 | 250 | LT-400      |

## FLEXIBLE JOINT

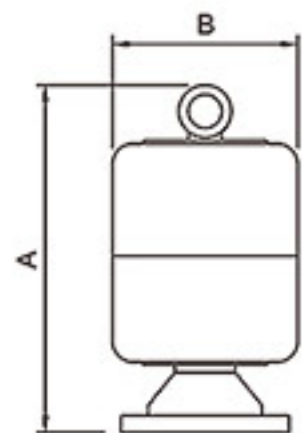
UNITS : mm



| MODEL | A   | B   | L   | SUITABILITY |
|-------|-----|-----|-----|-------------|
| F-050 | 50  | 155 | 105 | LT-050      |
| F-065 | 65  | 175 | 115 | LT-065      |
| F-080 | 80  | 185 | 130 | LT-080      |
| F-100 | 100 | 210 | 135 | LT-100      |
| F-125 | 125 | 250 | 170 | LT-125      |
| F-150 | 150 | 280 | 180 | LT-150      |
| F-200 | 200 | 330 | 205 | LT-200      |
| F-250 | 250 | 400 | 240 | LT-250      |
| F-300 | 300 | 445 | 260 | LT-300      |
| F-350 | 350 | 490 | 265 | LT-350      |
| F-400 | 400 | 560 | 265 | LT-400      |

# Accessories

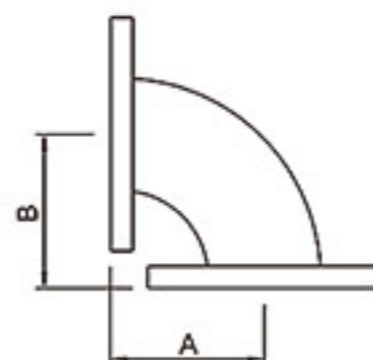
## SHORT SILENCER



UNITS : mm

| MODEL | A   | B   | SUITABILITY |
|-------|-----|-----|-------------|
| S-50  | 320 | 176 | LT-50       |
| S-65  | 320 | 176 | LT-65       |

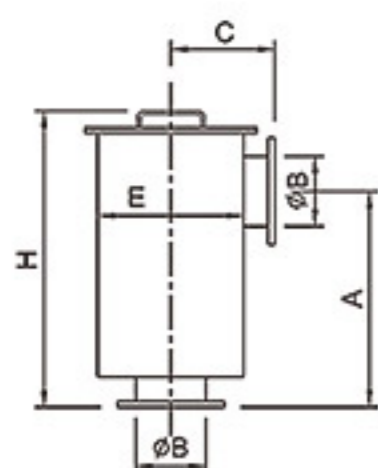
## 90° ELBOW



UNITS : mm

| MODEL  | A   | B   | SUITABILITY |
|--------|-----|-----|-------------|
| HE-050 | 83  | 121 | LT-050      |
| HE-065 | 103 | 103 | LT-065      |
| HE-080 | 122 | 122 | LT-080      |
| HE-100 | 160 | 160 | LT-100      |
| HE-125 | 199 | 199 | LT-125      |
| HE-150 | 237 | 237 | LT-150      |
| HE-200 | 313 | 313 | LT-200      |
| HE-250 | 389 | 389 | LT-250      |
| HE-300 | 465 | 465 | LT-300      |
| HE-350 | 541 | 541 | LT-350      |
| HE-400 | 618 | 618 | LT-400      |

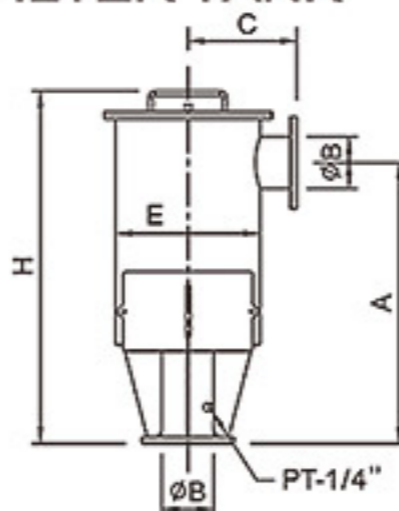
## FILTER TANK



UNITS : mm

| MODEL | A   | B   | C   | E   | H   |
|-------|-----|-----|-----|-----|-----|
| B-050 | 395 | 50  | 180 | 210 | 530 |
| B-065 | 395 | 65  | 180 | 210 | 530 |
| B-080 | 480 | 80  | 210 | 270 | 670 |
| B-100 | 480 | 100 | 210 | 270 | 670 |

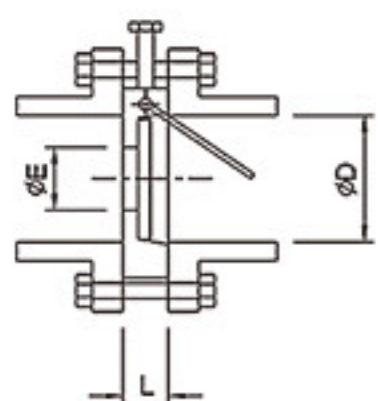
## FILTER TANK



UNITS : mm

| MODEL | A    | B   | C   | E   | H    |
|-------|------|-----|-----|-----|------|
| B-125 | 760  | 125 | 270 | 330 | 770  |
| B-150 | 760  | 150 | 270 | 330 | 770  |
| B-200 | 920  | 200 | 370 | 492 | 1140 |
| B-250 | 1092 | 250 | 358 | 492 | 1340 |
| B-300 | 1200 | 300 | 420 | 612 | 1540 |
| B-350 | 1300 | 350 | 515 | 777 | 1645 |
| B-400 | 1300 | 400 | 515 | 777 | 1645 |

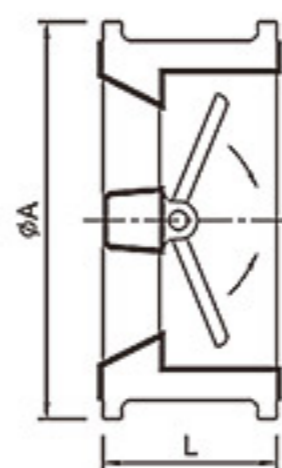
## CHECK VALVE



UNITS : mm

| MODEL | D   | E   | L  | SUITABILITY |
|-------|-----|-----|----|-------------|
| C-050 | 50  | 30  | 17 | LT-050      |
| C-065 | 65  | 45  | 19 | LT-065      |
| C-080 | 80  | 55  | 20 | LT-080      |
| C-100 | 100 | 70  | 20 | LT-100      |
| C-125 | 125 | 90  | 23 | LT-125      |
| C-150 | 150 | 110 | 24 | LT-150      |
| C-200 | 200 | 140 | 28 | LT-200      |
| C-250 | 250 | 190 | 28 | LT-250      |

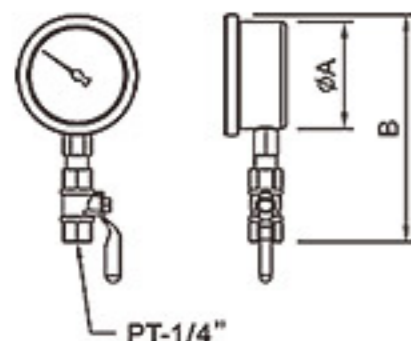
## DUAL CHECK VALVE



UNITS : mm

| MODEL  | A   | L   | SUITABILITY |
|--------|-----|-----|-------------|
| DC-200 | 270 | 127 | LT-200      |
| DC-250 | 332 | 146 | LT-250      |
| DC-300 | 377 | 181 | LT-300      |
| DC-350 | 420 | 184 | LT-350      |
| DC-400 | 483 | 191 | LT-400      |

## LIQUID FILLED PRESSURE GAUGE



UNITS : mm

| MODEL | A                               | B     | SUITABILITY |
|-------|---------------------------------|-------|-------------|
| AC-A  | 63                              | 133.5 | LT-50~400   |
| 壓力範圍  | 76~0cmHg, 0~1kg/cm <sup>2</sup> |       |             |

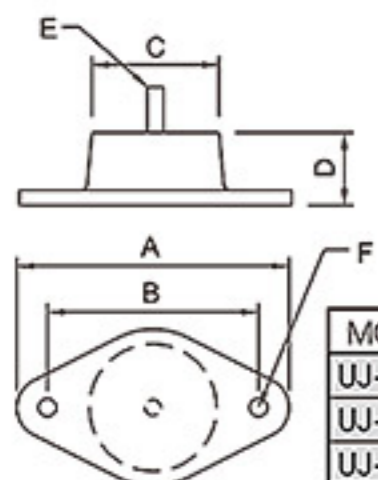
## TUBE CONNECTOR



UNITS : mm

| MODEL | A   | B    | C   | L  | SUITABILITY |
|-------|-----|------|-----|----|-------------|
| V-050 | 95  | 2"   | 50  | 40 | LT-050      |
| V-065 | 95  | 2.5" | 65  | 40 | LT-065      |
| V-080 | 95  | 3"   | 80  | 40 | LT-080      |
| V-100 | 95  | 4"   | 100 | 40 | LT-100      |
| V-125 | 155 | 5"   | 125 | 50 | LT-125      |
| V-150 | 155 | 6"   | 150 | 50 | LT-150      |
| V-200 | 155 | 8"   | 200 | 60 | LT-200      |
| V-250 | 155 | 10"  | 250 | 60 | LT-250      |
| V-300 | 155 | 12"  | 300 | 60 | LT-300      |
| V-350 | 160 | 14"  | 350 | 70 | LT-350      |
| V-400 | 160 | 16"  | 400 | 70 | LT-400      |

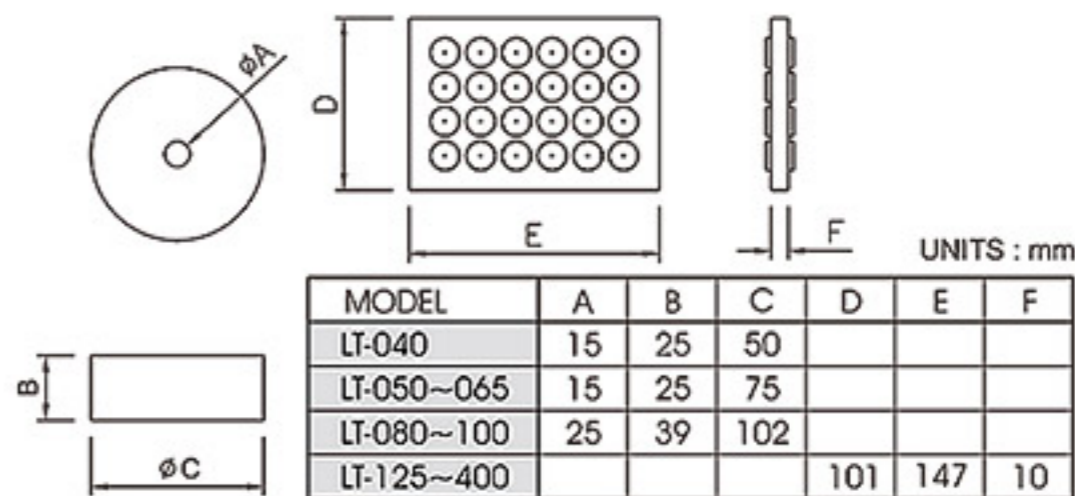
## ABSORBER



UNITS : mm

| MODEL   | A   | B   | C   | D  | E    | F   | SUITABILITY(Kg) |
|---------|-----|-----|-----|----|------|-----|-----------------|
| UJ-200J | 142 | 110 | 65  | 55 | 3/8" | Ø12 | 0~150           |
| UJ-500J | 214 | 166 | 100 | 57 | 1/2" | Ø14 | 140~450         |
| UJ-800J | 285 | 220 | 130 | 80 | 1/2" | Ø17 | 400~750         |

## ABSORBER



UNITS : mm

| MODEL      | A  | B  | C   | D   | E   | F  |
|------------|----|----|-----|-----|-----|----|
| LT-040     | 15 | 25 | 50  |     |     |    |
| LT-050~065 | 15 | 25 | 75  |     |     |    |
| LT-080~100 | 25 | 39 | 102 |     |     |    |
| LT-125~400 |    |    |     | 101 | 147 | 10 |



# LONGTECH ROOTS BLOWER

ROOTS TYPE BLOWER & VACUUM PUMP **CATALOG**



ISO 9001 Certificate

LONGTECH MACHINERY INDUSTRY CO.,LTD.

COMPANY : NO.23 , LANE 470 , NANSHAN RD. , SEC.2 ,  
LUCHU HSIANG , TAOYUAN HSIEN , TAIWAN. R.O.C .

TEL. : 886-3-324-2370

FAX. : 886-3-324-0219

http : //www.rootsblower.com.tw

E-mail : aero-tech@umail.hinet.net